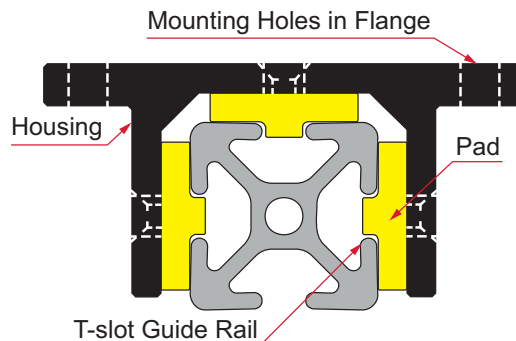


## Linear Bearing Concept

Linear bearings enable you to add repeated motion and movement to your project. As an example, linear bearings are commonly found in material transportation applications such as picking tools.

The core concept is that profiles act as guiderails and pads are inserted into the T-slot to enable movement. Pads are available in two options: standard or high-cycle.



### Standard Pad

Perfect for solutions such as drawer glides, table saw fences, ergonomic workstations or adjustable stands. All pads are available in white and black styles.

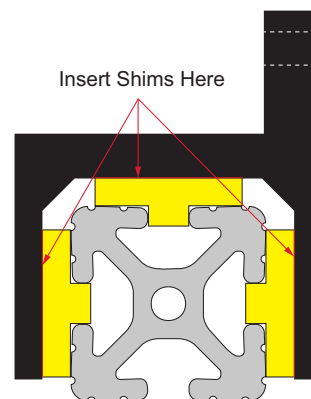


### High-Cycle Pad

These bearings have a special threaded insert designed for sudden acceleration and deceleration without deteriorating. This durable pad lends itself to actuators and parts-transfer equipment.

## Linear Bearing Shims

Linear bearing shim stock is used to create a precise fit. Each shim is .005 inches (.127mm) thick and has a slotted design that enables easy installation without having to dismantle the bearing; simply loosen the bearing pad and slide the shim(s) between the pad and housing while the bearing is still in place. Shims are sold in packs of 10 and are compatible with all 80/20 bearings.



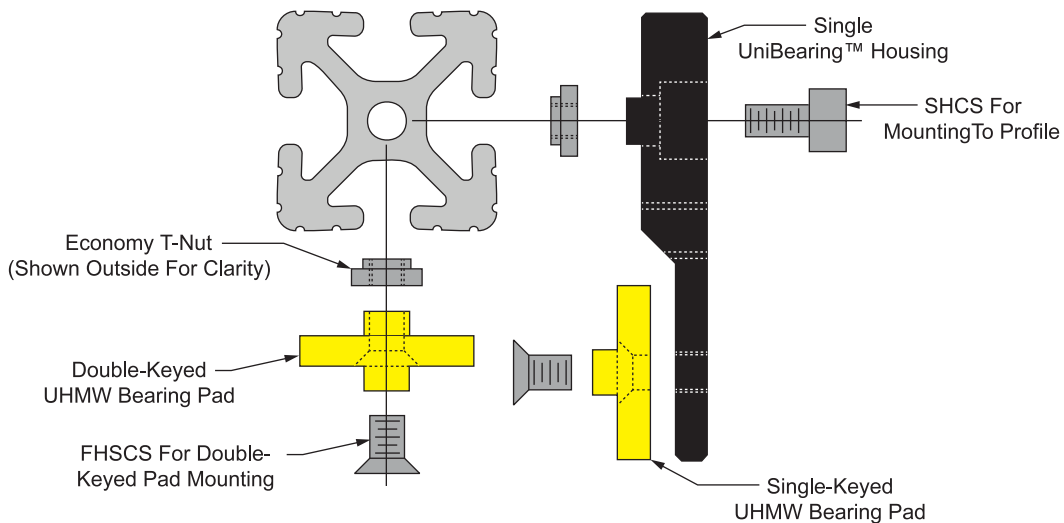
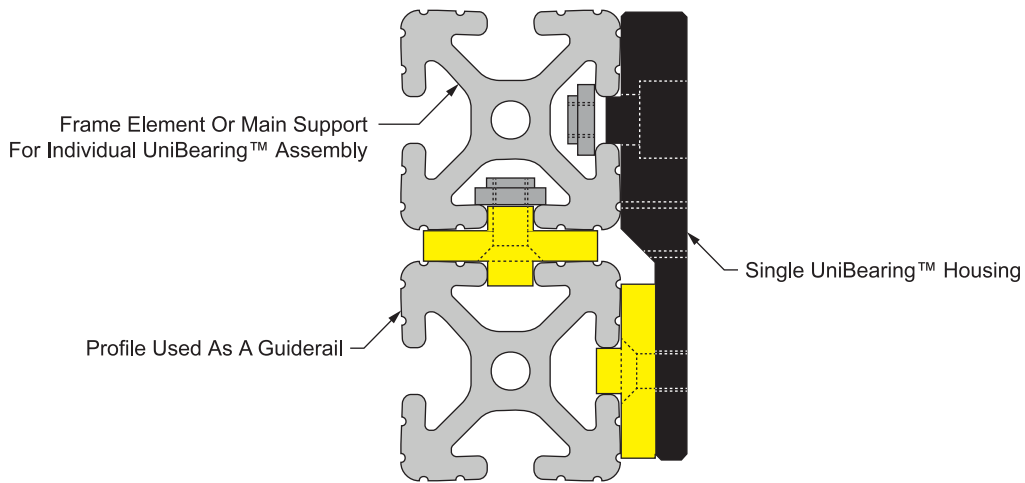


## UniBearing™ Concept

80/20 offers a custom UniBearing™. It differs from the traditional linear bearing in that it is adjustable for a range of profiles and can be installed even when a T-slot profile is captivated.



These are easily integrated into existing structures and are commonly used in applications such as automation equipment or guards that require frequent movement.



## 3 Slot Mount - Single Flange Short Standard Linear Bearing

### Part Description:

The 3 slot mount – single flange short standard linear bearing with or without brake holes is typically used in linear motion applications. It houses profiles with a minimum of three open T-slots, has a single flange and is a shorter option. The bearing includes pads, screws and shims; the pads are made of self-lubricating UHMW. All 80/20 bearings are designed for compression loads only and not intended to support hanging loads.



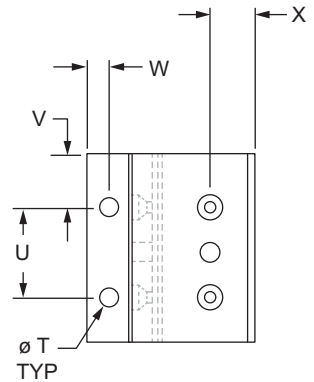
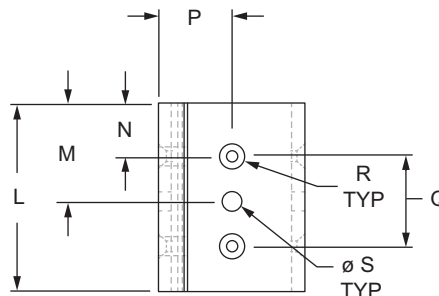
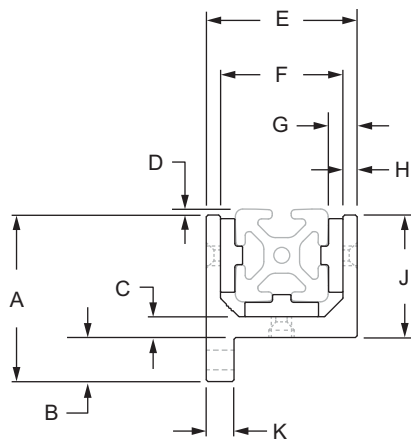
**Fractional**



**Metric**



**Black Anodized**



CONTINUE

## 3 Slot Mount - Single Flange Short Standard Linear Bearing (Continued)

## 3 Slot Mount - Single Flange Short Standard Linear Bearing

Part No.	Series	Color	A	B	C	D	E	F	G	H	J	K	L	
6715	10	Clear	1.968"	.656"	.250"	.094"	1.624"	1.312"	.306"	.156"	1.312"	.311"	1.875"	
6715-Black	10	Black	1.968"	.656"	.250"	.094"	1.624"	1.312"	.306"	.156"	1.312"	.311"	1.875"	
6815	15	Clear	2.750"	.750"	.375"	.125"	2.505"	2.005"	.493"	.250"	2.000"	.500"	2.812"	
6815-Black	15	Black	2.750"	.750"	.375"	.125"	2.505"	2.005"	.493"	.250"	2.000"	.500"	2.812"	
25-6715	25	Clear	49.73mm	16.48mm	5.99mm	1.80mm	41.12mm	33.15mm	7.80mm	3.99mm	33.25mm	7.98mm	47.00mm	
25-6715-Black	25	Black	49.73mm	16.48mm	5.99mm	1.80mm	41.12mm	33.15mm	7.80mm	3.99mm	33.25mm	7.98mm	47.00mm	
40-6815	40	Clear	71.83mm	19.00mm	8.99mm	2.58mm	65.13mm	52.83mm	12.32mm	6.15mm	52.83mm	11.99mm	75.00mm	
40-6815-Black	40	Black	71.83mm	19.00mm	8.99mm	2.58mm	65.13mm	52.83mm	12.32mm	6.15mm	52.83mm	11.99mm	75.00mm	
			M	N	P	Q	R	S	T	U	V	W	X	Weight
6715	10		.438"	.812"	1.000"	#8 FHSCS		.257"	1.000"	.438"	.343"	.406"	.198 lb	
6715-Black	10		.438"	.812"	1.000"	#8 FHSCS		.257"	1.000"	.438"	.343"	.406"	.198 lb	
6815	15		.656"	1.253"	1.500"	#10 FHSCS		.328"	1.500"	.656"	.375"	.625"	.688 lb	
6815-Black	15		.656"	1.253"	1.500"	#10 FHSCS		.328"	1.500"	.656"	.375"	.625"	.688 lb	
25-6715	25		11.00mm	20.56mm	25.00mm	#8 FHSCS		6.30mm	25.00mm	11.00mm	8.23mm	10.69mm	.0866 kg	
25-6715-Black	25		11.00mm	20.56mm	25.00mm	#8 FHSCS		6.30mm	25.00mm	11.00mm	8.23mm	10.69mm	.0866 kg	
40-6815	40		17.50mm	32.56mm	40.00mm	#10 FHSCS		8.33mm	40.00mm	17.50mm	9.53mm	17.42mm	.3262 kg	
40-6815-Black	40		17.50mm	32.56mm	40.00mm	#10 FHSCS		8.33mm	40.00mm	17.50mm	9.53mm	17.42mm	.3262 kg	

## 3 Slot Mount - Single Flange Short Standard Linear Bearing with Brake Holes

Part No.	Series	Color	A	B	C	D	E	F	G	H	J	K	L	
6415	10	Clear	1.968"	.656"	.250"	.094"	1.624"	1.312"	.306"	.156"	1.312"	.311"	1.875"	
6415-Black	10	Black	1.968"	.656"	.250"	.094"	1.624"	1.312"	.306"	.156"	1.312"	.311"	1.875"	
6515	15	Clear	2.750"	.750"	.375"	.125"	2.505"	2.005"	.493"	.250"	2.000"	.500"	2.812"	
6515-Black	15	Black	2.750"	.750"	.375"	.125"	2.505"	2.005"	.493"	.250"	2.000"	.500"	2.812"	
25-6415	25	Clear	49.73mm	16.48mm	5.99mm	1.80mm	41.12mm	33.15mm	7.80mm	3.99mm	33.25mm	7.98mm	47.00mm	
25-6415-Black	25	Black	49.73mm	16.48mm	5.99mm	1.80mm	41.12mm	33.15mm	7.80mm	3.99mm	33.25mm	7.98mm	47.00mm	
40-6515	40	Clear	71.83mm	19.00mm	8.99mm	2.58mm	65.13mm	52.83mm	12.32mm	6.15mm	52.83mm	11.99mm	75.00mm	
40-6515-Black	40	Black	71.83mm	19.00mm	8.99mm	2.58mm	65.13mm	52.83mm	12.32mm	6.15mm	52.83mm	11.99mm	75.00mm	
			M	N	P	Q	R	S	T	U	V	W	X	Weight
6415	10		.938"	.438"	.812"	1.000"	#8 FHSCS	.265"	.257"	1.000"	.438"	.343"	.406"	.196 lb
6415-Black	10		.938"	.438"	.812"	1.000"	#8 FHSCS	.265"	.257"	1.000"	.438"	.343"	.406"	.196 lb
6515	15		1.406"	.656"	1.253"	1.500"	#10 FHSCS	.344"	.328"	1.500"	.656"	.375"	.625"	.679 lb
6515-Black	15		1.406"	.656"	1.253"	1.500"	#10 FHSCS	.344"	.328"	1.500"	.656"	.375"	.625"	.679 lb
25-6415	25		23.50mm	11.00mm	20.56mm	25.00mm	#8 FHSCS	6.53mm	6.30mm	25.00mm	11.00mm	8.23mm	10.69mm	.0857 kg
25-6415-Black	25		23.50mm	11.00mm	20.56mm	25.00mm	#8 FHSCS	6.53mm	6.30mm	25.00mm	11.00mm	8.23mm	10.69mm	.0857 kg
40-6515	40		40.00mm	20.00mm	32.56mm	40.00mm	#10 FHSCS	8.71mm	8.33mm	40.00mm	20.00mm	9.53mm	17.42mm	.3253 kg
40-6515-Black	40		40.00mm	20.00mm	32.56mm	40.00mm	#10 FHSCS	8.71mm	8.33mm	40.00mm	20.00mm	9.53mm	17.42mm	.3253 kg

## Material Specifications

Material	Grade	Process	Finish
Aluminum	6105-T5	Extrude	Anodize

## 3 Slot Mount - Single Flange Long Standard Linear Bearing

### Part Description:

The 3 slot mount – single flange long standard linear bearing with or without brake holes is typically used in linear motion applications. It houses profiles with a minimum of three open T-slots, has a single flange and is a longer option. The bearing includes pads, screws and shims; the pads are made of self-lubricating UHMW. All 80/20 bearings are designed for compression loads only and not intended to support hanging loads.



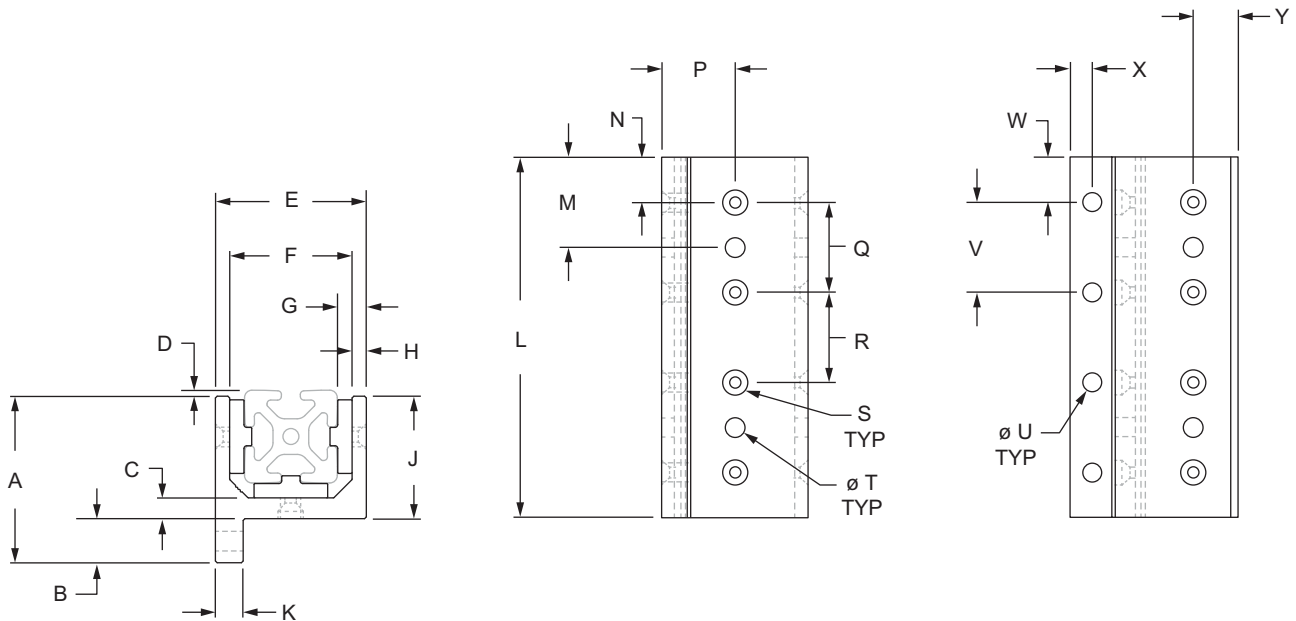
**Fractional**



**Metric**



**Black Anodized**



CONTINUE

80/20<sup>®</sup> 3 Slot Mount - Single Flange Long Standard Linear Bearing (Continued)

## 3 Slot Mount - Single Flange Long Standard Linear Bearing

Part No.	Series	Color	A	B	C	D	E	F	G	H	J	K	L	M	
6716	10	Clear	1.968"	.656"	.250"	.094"	1.624"	1.312"	.306"	.156"	1.312"	.311"	4.000"	—	
6716-Black	10	Black	1.968"	.656"	.250"	.094"	1.624"	1.312"	.306"	.156"	1.312"	.311"	4.000"		
6816	15	Clear	2.750"	.750"	.375"	.125"	2.505"	2.005"	.493"	.250"	2.000"	.500"	6.000"		
6816-Black	15	Black	2.750"	.750"	.375"	.125"	2.505"	2.005"	.493"	.250"	2.000"	.500"	6.000"		
25-6716	25	Clear	49.73mm	16.48mm	5.99mm	1.80mm	41.12mm	33.15mm	7.80mm	3.99mm	33.25mm	7.98mm	100.00mm		
25-6716-Black	25	Black	49.73mm	16.48mm	5.99mm	1.80mm	41.12mm	33.15mm	7.80mm	3.99mm	33.25mm	7.98mm	100.00mm		
40-6816	40	Clear	71.83mm	19.00mm	8.99mm	2.58mm	65.13mm	52.83mm	12.32mm	6.15mm	52.83mm	11.99mm	160.00mm		
40-6816-Black	40	Black	71.83mm	19.00mm	8.99mm	2.58mm	65.13mm	52.83mm	12.32mm	6.15mm	52.83mm	11.99mm	160.00mm		
			N	P	Q	R	S	T	U	V	W	X	Y		Weight
6716	10	Clear	.500"	.812"	1.000"	1.000"	#8 FHSCS	—	.257"	1.000"	.500"	.343"	.406"		.417 lb
6716-Black	10	Black	.500"	.812"	1.000"	1.000"	#8 FHSCS		.257"	1.000"	.500"	.343"	.406"	.417 lb	
6816	15	Clear	.750"	1.253"	1.500"	1.500"	#10 FHSCS		.328"	1.500"	.656"	.375"	.625"	1.461 lb	
6816-Black	15	Black	.750"	1.253"	1.500"	1.500"	#10 FHSCS		.328"	1.500"	.656"	.375"	.625"	1.461 lb	
25-6716	25	Clear	12.50mm	20.56mm	25.00mm	25.00mm	#8 FHSCS		6.30mm	25.00mm	12.50mm	8.23mm	10.69mm	.190 kg	
25-6716-Black	25	Black	12.50mm	20.56mm	25.00mm	25.00mm	#8 FHSCS		6.30mm	25.00mm	12.50mm	8.23mm	10.69mm	.190 kg	
40-6816	40	Clear	20.00mm	32.56mm	40.00mm	40.00mm	#10 FHSCS		8.33mm	40.00mm	20.00mm	9.53mm	17.42mm	.703 kg	
40-6816-Black	40	Black	20.00mm	32.56mm	40.00mm	40.00mm	#10 FHSCS		8.33mm	40.00mm	20.00mm	9.53mm	17.42mm	.703 kg	

## 3 Slot Mount - Single Flange Long Standard Linear Bearing with Brake Holes

Part No.	Series	Color	A	B	C	D	E	F	G	H	J	K	L	M
6416	10	Clear	1.968"	.656"	.250"	.094"	1.624"	1.312"	.306"	.156"	1.312"	.311"	4.000"	1.000"
6416-Black	10	Black	1.968"	.656"	.250"	.094"	1.624"	1.312"	.306"	.156"	1.312"	.311"	4.000"	1.000"
6516	15	Clear	2.750"	.750"	.375"	.125"	2.505"	2.005"	.493"	.250"	2.000"	.500"	6.000"	1.500"
6516-Black	15	Black	2.750"	.750"	.375"	.125"	2.505"	2.005"	.493"	.250"	2.000"	.500"	6.000"	1.500"
25-6416	25	Clear	49.73mm	16.48mm	5.99mm	1.80mm	41.12mm	33.15mm	7.80mm	3.99mm	33.25mm	7.98mm	100.00mm	25.00mm
25-6416-Black	25	Black	49.73mm	16.48mm	5.99mm	1.80mm	41.12mm	33.15mm	7.80mm	3.99mm	33.25mm	7.98mm	100.00mm	25.00mm
40-6516	40	Clear	71.83mm	19.00mm	8.99mm	2.58mm	65.13mm	52.83mm	12.32mm	6.15mm	52.83mm	11.99mm	160.00mm	40.00mm
40-6516-Black	40	Black	71.83mm	19.00mm	8.99mm	2.58mm	65.13mm	52.83mm	12.32mm	6.15mm	52.83mm	11.99mm	160.00mm	40.00mm
			N	P	Q	R	S	T	U	V	W	X	Y	Weight
6416	10	Clear	.500"	.812"	1.000"	1.000"	#8 FHSCS	.265"	.257"	1.000"	.500"	.343"	.406"	.414 lb
6416-Black	10	Black	.500"	.812"	1.000"	1.000"	#8 FHSCS	.265"	.257"	1.000"	.500"	.343"	.406"	.414 lb
6516	15	Clear	.750"	1.253"	1.500"	1.500"	#10 FHSCS	.344"	.328"	1.500"	.656"	.375"	.625"	1.443 lb
6516-Black	15	Black	.750"	1.253"	1.500"	1.500"	#10 FHSCS	.344"	.328"	1.500"	.656"	.375"	.625"	1.443 lb
25-6416	25	Clear	12.50mm	20.56mm	25.00mm	25.00mm	#8 FHSCS	6.53mm	6.30mm	25.00mm	12.50mm	8.23mm	10.69mm	.190 kg
25-6416-Black	25	Black	12.50mm	20.56mm	25.00mm	25.00mm	#8 FHSCS	6.53mm	6.30mm	25.00mm	12.50mm	8.23mm	10.69mm	.190 kg
40-6516	40	Clear	20.00mm	32.56mm	40.00mm	40.00mm	#10 FHSCS	8.71mm	8.33mm	40.00mm	20.00mm	9.53mm	17.42mm	.695 kg
40-6516-Black	40	Black	20.00mm	32.56mm	40.00mm	40.00mm	#10 FHSCS	8.71mm	8.33mm	40.00mm	20.00mm	9.53mm	17.42mm	.695 kg

## Material Specifications

Material	Grade	Process	Finish
Aluminum	6105-T5	Extrude	Anodize

## 3 Slot Mount - Double Flange Short Standard Linear Bearing

### Part Description:

The 3 slot mount – double flange short standard linear bearing with or without brake holes is typically used in linear motion applications. It houses profiles with a minimum of three open T-slots, has a double flange and is a shorter option. The bearing includes pads, screws and shims; the pads are made of self-lubricating UHMW. All 80/20 bearings are designed for compression loads only and not intended to support hanging loads.



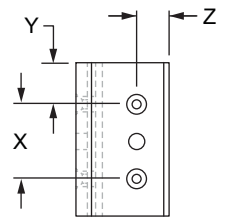
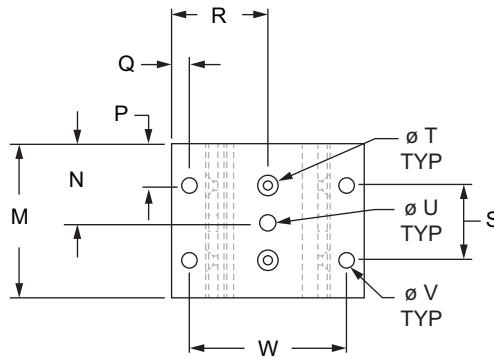
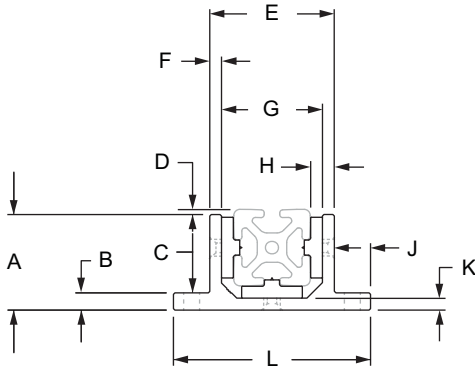
**Fractional**



**Metric**



**Black Anodized**



CONTINUE

## 3 Slot Mount - Double Flange Short Standard Linear Bearing (Continued)

## 3 Slot Mount - Double Flange Short Standard Linear Bearing

Part No.	Series	Color	A	B	C	D	E	F	G	H	J	K	L	M
6725	10	Clear	1.218"	.312"	.906"	.094"	1.624"	.156"	1.312"	.156"	.656"	.156"	2.936"	1.875"
6725-Black	10	Black	1.218"	.312"	.906"	.094"	1.624"	.156"	1.312"	.156"	.656"	.156"	2.936"	1.875"
6825	15	Clear	1.875"	.375"	1.500"	.125"	2.505"	.250"	2.005"	.250"	.748"	.250"	4.000"	2.812"
6825-Black	15	Black	1.875"	.375"	1.500"	.125"	2.505"	.250"	2.005"	.250"	.748"	.250"	4.000"	2.812"
25-6725	25	Clear	31.20mm	8.00mm	23.20mm	1.80mm	41.15mm	4.00mm	33.15mm	3.99mm	16.47mm	4.00mm	74.09mm	47.00mm
25-6725-Black	25	Black	31.20mm	8.00mm	23.20mm	1.80mm	41.15mm	4.00mm	33.15mm	3.99mm	16.47mm	4.00mm	74.09mm	47.00mm
40-6825	40	Clear	50.00mm	9.00mm	41.00mm	2.58mm	65.12mm	6.15mm	52.82mm	6.15mm	19.00mm	6.15mm	103.12mm	75.00mm
40-6825-Black	40	Black	50.00mm	9.00mm	41.00mm	2.58mm	65.12mm	6.15mm	52.82mm	6.15mm	19.00mm	6.15mm	103.12mm	75.00mm
		N	P	Q	R	S	T	U	V	W	X	Y	Z	Weight
6725	10		.438"	.343"	1.468"	1.000"	#8 FHSCS		.257"	2.250"	1.000"	.438"	.406"	.207 lb
6725-Black	10		.438"	.343"	1.468"	1.000"	#8 FHSCS		.257"	2.250"	1.000"	.438"	.406"	.207 lb
6825	15		.656"	.375"	2.000"	1.500"	#10 FHSCS		.328"	3.250"	1.500"	.656"	.625"	.655 lb
6825-Black	15		.656"	.375"	2.000"	1.500"	#10 FHSCS		.328"	3.250"	1.500"	.656"	.625"	.655 lb
25-6725	25		11.00mm	8.48mm	37.05mm	25.00mm	#8 FHSCS		6.30mm	57.12mm	25.00mm	11.00mm	10.64mm	.0929 kg
25-6725-Black	25		11.00mm	8.48mm	37.05mm	25.00mm	#8 FHSCS		6.30mm	57.12mm	25.00mm	11.00mm	10.64mm	.0929 kg
40-6825	40		17.50mm	9.50mm	51.56mm	40.00mm	#10 FHSCS		8.33mm	84.12mm	40.00mm	17.50mm	17.42mm	.3137 kg
40-6825-Black	40		17.50mm	9.50mm	51.56mm	40.00mm	#10 FHSCS		8.33mm	84.12mm	40.00mm	17.50mm	17.42mm	.31375 kg

## 3 Slot Mount - Double Flange Short Standard Linear Bearing with Brake Holes

Part No.	Series	Color	A	B	C	D	E	F	G	H	J	K	L	M	
6425	10	Clear	1.218"	.312"	.906"	.094"	1.624"	.156"	1.312"	.156"	.656"	.156"	2.936"	1.875"	
6425-Black	10	Black	1.218"	.312"	.906"	.094"	1.624"	.156"	1.312"	.156"	.656"	.156"	2.936"	1.875"	
6525	15	Clear	1.875"	.375"	1.500"	.125"	2.505"	.250"	2.005"	.250"	.748"	.250"	4.000"	2.812"	
6525-Black	15	Black	1.875"	.375"	1.500"	.125"	2.505"	.250"	2.005"	.250"	.748"	.250"	4.000"	2.812"	
25-6425	25	Clear	31.20mm	8.00mm	23.20mm	1.80mm	41.15mm	4.00mm	33.15mm	3.99mm	16.47mm	4.00mm	74.09mm	47.00mm	
25-6425-Black	25	Black	31.20mm	8.00mm	23.20mm	1.80mm	41.15mm	4.00mm	33.15mm	3.99mm	16.47mm	4.00mm	74.09mm	47.00mm	
40-6525	40	Clear	50.00mm	9.00mm	41.00mm	2.58mm	65.12mm	6.15mm	52.82mm	6.15mm	19.00mm	6.15mm	103.12mm	75.00mm	
40-6525-Black	40	Black	50.00mm	9.00mm	41.00mm	2.58mm	65.12mm	6.15mm	52.82mm	6.15mm	19.00mm	6.15mm	103.12mm	75.00mm	
		N	P	Q	R	S	T	U	V	W	X	Y	Z	Weight	
6425	10		.938"	.438"	.343"	1.468"	1.000"	#8 FHSCS	.265"	.257"	2.250"	1.000"	.438"	.406"	.205 lb
6425-Black	10		.938"	.438"	.343"	1.468"	1.000"	#8 FHSCS	.265"	.257"	2.250"	1.000"	.438"	.406"	.205 lb
6525	15		1.406"	.656"	.375"	2.000"	1.500"	#10 FHSCS	.344"	.328"	3.250"	1.500"	.656"	.625"	.653 lb
6525-Black	15		1.406"	.656"	.375"	2.000"	1.500"	#10 FHSCS	.344"	.328"	3.250"	1.500"	.656"	.625"	.653 lb
25-6425	25		23.50mm	11.00mm	8.48mm	37.05mm	25.00mm	#8 FHSCS	6.53mm	6.30mm	57.12mm	25.00mm	11.00mm	10.64mm	.0916 kg
25-6425-Black	25		23.50mm	11.00mm	8.48mm	37.05mm	25.00mm	#8 FHSCS	6.53mm	6.30mm	57.12mm	25.00mm	11.00mm	10.64mm	.0916 kg
40-6525	40		37.50mm	17.50mm	9.50mm	51.56mm	40.00mm	#10 FHSCS	8.71mm	8.33mm	84.12mm	40.00mm	17.50mm	17.42mm	.3116 kg
40-6525-Black	40		37.50mm	17.50mm	9.50mm	51.56mm	40.00mm	#10 FHSCS	8.71mm	8.33mm	84.12mm	40.00mm	17.50mm	17.42mm	.3116 kg

## Material Specifications

Material	Grade	Process	Finish
Aluminum	6105-T5	Extrude	Anodize



## 3 Slot Mount - Double Flange Long Standard Linear Bearing

### Part Description:

The 3 slot mount – double flange long standard linear bearing with or without brake holes is typically used in linear motion applications. It houses profiles with a minimum of three open T-slots, has a double flange and is a longer option. The bearing includes pads, screws and shims; the pads are made of self-lubricating UHMW. All 80/20 bearings are designed for compression loads only and not intended to support hanging loads.



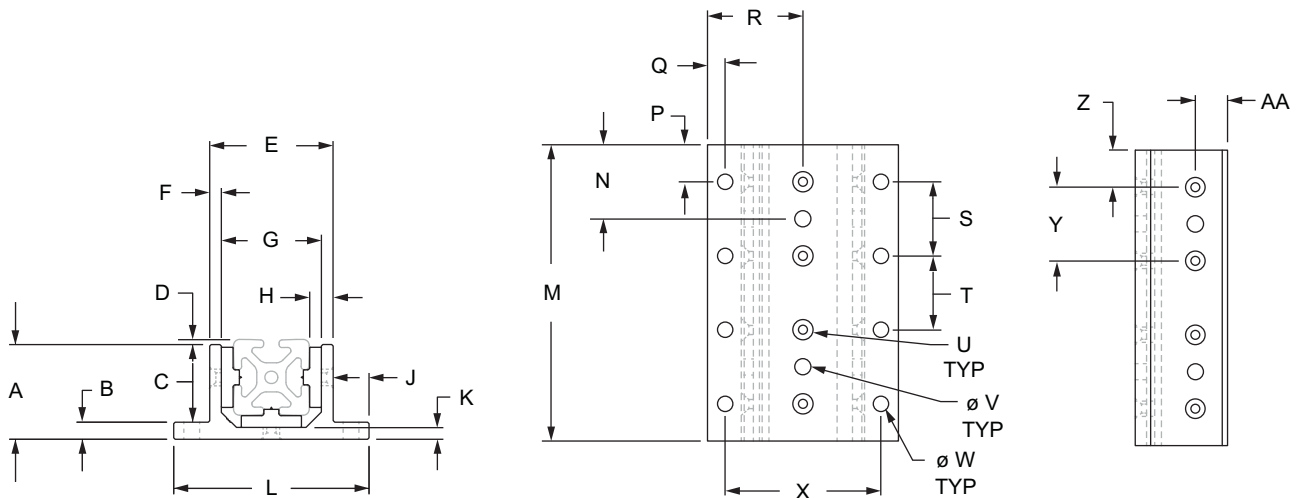
**Fractional**



**Metric**



**Black Anodized**



CONTINUE

## 3 Slot Mount - Double Flange Long Standard Linear Bearing (Continued)

## 3 Slot Mount - Double Flange Long Standard Linear Bearing

Part No.	Series	Color	A	B	C	D	E	F	G	H	J	K	L	M	N
6726	10	Clear	1.218"	.312"	.906"	.094"	1.624"	.156"	1.312"	.156"	.656"	.156"	2.936"	4.000"	—
6726-Black	10	Black	1.218"	.312"	.906"	.094"	1.624"	.156"	1.312"	.156"	.656"	.156"	2.936"	4.000"	
6826	15	Clear	1.875"	.375"	1.500"	.125"	2.505"	.250"	2.005"	.250"	.748"	.250"	4.000"	6.000"	
6826-Black	15	Black	1.875"	.375"	1.500"	.125"	2.505"	.250"	2.005"	.250"	.748"	.250"	4.000"	6.000"	
25-6726	25	Clear	31.20mm	8.00mm	23.20mm	1.80mm	41.15mm	4.00mm	33.15mm	3.99mm	16.47mm	4.00mm	74.09mm	100.00mm	
25-6726-Black	25	Black	31.20mm	8.00mm	23.20mm	1.80mm	41.15mm	4.00mm	33.15mm	3.99mm	16.47mm	4.00mm	74.09mm	100.00mm	
40-6826	40	Clear	50.00mm	9.00mm	41.00mm	2.58mm	65.12mm	6.15mm	52.82mm	6.15mm	19.00mm	6.15mm	103.12mm	160.00mm	
40-6826-Black	40	Black	50.00mm	9.00mm	41.00mm	2.58mm	65.12mm	6.15mm	52.82mm	6.15mm	19.00mm	6.15mm	103.12mm	160.00mm	
			P	Q	R	S	T	U	V	W	X	Y	Z	AA	Weight
6726	10	Clear	.500"	.343"	1.468"	1.000"	1.000"	#8 FHSCS	—	.257"	2.250"	1.000"	.500"	.406"	.437 lb
6726-Black	10	Black	.500"	.343"	1.468"	1.000"	1.000"	#8 FHSCS		.257"	2.250"	1.000"	.500"	.406"	.437 lb
6826	15	Clear	.750"	.375"	2.000"	1.500"	1.500"	#10 FHSCS		.328"	3.250"	1.500"	.750"	.625"	1.394 lb
6826-Black	15	Black	.750"	.375"	2.000"	1.500"	1.500"	#10 FHSCS		.328"	3.250"	1.500"	.750"	.625"	1.394 lb
25-6726	25	Clear	12.50mm	8.48mm	37.05mm	25.00mm	25.00mm	#8 FHSCS		6.30mm	57.12mm	25.00mm	12.50mm	10.64mm	.2028 kg
25-6726-Black	25	Black	12.50mm	8.48mm	37.05mm	25.00mm	25.00mm	#8 FHSCS		6.30mm	57.12mm	25.00mm	12.50mm	10.64mm	.2028 kg
40-6826	40	Clear	20.00mm	9.50mm	51.56mm	40.00mm	40.00mm	#10 FHSCS		8.33mm	84.12mm	40.00mm	20.00mm	17.42mm	.6651 kg
40-6826-Black	40	Black	20.00mm	9.50mm	51.56mm	40.00mm	40.00mm	#10 FHSCS		8.33mm	84.12mm	40.00mm	20.00mm	17.42mm	.6651 kg

## 3 Slot Mount - Double Flange Long Standard Linear Bearing with Brake Holes

Part No.	Series	Color	A	B	C	D	E	F	G	H	J	K	L	M	N
6426	10	Clear	1.218"	.312"	.906"	.094"	1.624"	.156"	1.312"	.156"	.656"	.156"	2.936"	4.000"	1.000"
6426-Black	10	Black	1.218"	.312"	.906"	.094"	1.624"	.156"	1.312"	.156"	.656"	.156"	2.936"	4.000"	1.000"
6526	15	Clear	1.875"	.375"	1.500"	.125"	2.505"	.250"	2.005"	.250"	.748"	.250"	4.000"	6.000"	1.500"
6526-Black	15	Black	1.875"	.375"	1.500"	.125"	2.505"	.250"	2.005"	.250"	.748"	.250"	4.000"	6.000"	1.500"
25-6426	25	Clear	31.20mm	8.00mm	23.20mm	1.80mm	41.15mm	4.00mm	33.15mm	3.99mm	16.47mm	4.00mm	74.09mm	100.00mm	25.00mm
25-6426-Black	25	Black	31.20mm	8.00mm	23.20mm	1.80mm	41.15mm	4.00mm	33.15mm	3.99mm	16.47mm	4.00mm	74.09mm	100.00mm	25.00mm
40-6526	40	Clear	50.00mm	9.00mm	41.00mm	2.58mm	65.12mm	6.15mm	52.82mm	6.15mm	19.00mm	6.15mm	103.12mm	160.00mm	40.00mm
40-6526-Black	40	Black	50.00mm	9.00mm	41.00mm	2.58mm	65.12mm	6.15mm	52.82mm	6.15mm	19.00mm	6.15mm	103.12mm	160.00mm	40.00mm
			P	Q	R	S	T	U	V	W	X	Y	Z	AA	Weight
6426	10	Clear	.500"	.343"	1.468"	1.000"	1.000"	#8 FHSCS	.265"	.257"	2.250"	1.000"	.500"	.406"	.433 lb
6426-Black	10	Black	.500"	.343"	1.468"	1.000"	1.000"	#8 FHSCS	.265"	.257"	2.250"	1.000"	.500"	.406"	.433 lb
6526	15	Clear	.750"	.375"	2.000"	1.500"	1.500"	#10 FHSCS	.344"	.328"	3.250"	1.500"	.750"	.625"	1.379 lb
6526-Black	15	Black	.750"	.375"	2.000"	1.500"	1.500"	#10 FHSCS	.344"	.328"	3.250"	1.500"	.750"	.625"	1.379 lb
25-6426	25	Clear	12.50mm	8.48mm	37.05mm	25.00mm	25.00mm	#8 FHSCS	6.53mm	6.30mm	57.12mm	25.00mm	12.50mm	10.64mm	.1972 kg
25-6426-Black	25	Black	12.50mm	8.48mm	37.05mm	25.00mm	25.00mm	#8 FHSCS	6.53mm	6.30mm	57.12mm	25.00mm	12.50mm	10.64mm	.1972 kg
40-6526	40	Clear	20.00mm	9.50mm	51.56mm	40.00mm	40.00mm	#10 FHSCS	8.71mm	8.33mm	84.12mm	40.00mm	20.00mm	17.42mm	.6650 kg
40-6526-Black	40	Black	20.00mm	9.50mm	51.56mm	40.00mm	40.00mm	#10 FHSCS	8.71mm	8.33mm	84.12mm	40.00mm	20.00mm	17.42mm	.6650 kg

## Material Specifications

Material	Grade	Process	Finish
Aluminum	6105-T5	Extrude	Anodize

## 4 Slot Mount - Double Flange Short Standard Linear Bearing

### Part Description:

The 4 slot mount – double flange short standard linear bearing with or without brake holes is typically used in linear motion applications. It houses profiles with a minimum of four open T-slots, has a double flange and is a shorter option. The bearing includes pads, screws and shims; the pads are made of self-lubricating UHMW. All 80/20 bearings are designed for compression loads only and not intended to support hanging loads.



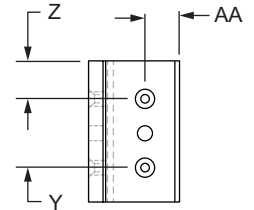
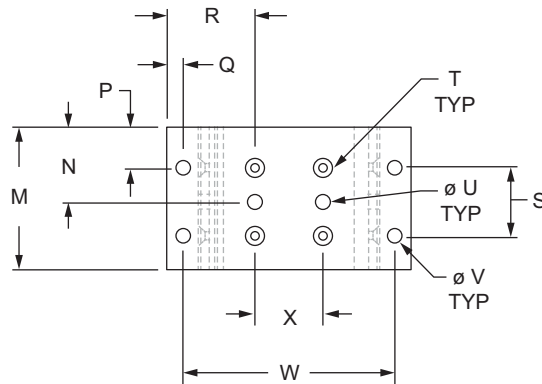
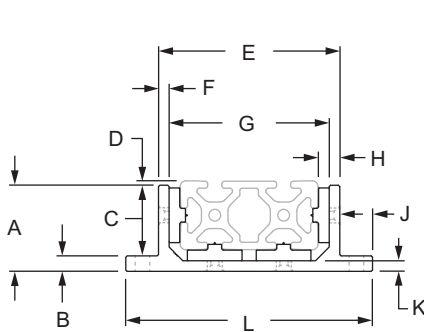
**Fractional**



**Metric**



**Black Anodized**



CONTINUE

## 4 Slot Mount - Double Flange Short Standard Linear Bearing (Continued)

## 4 Slot Mount - Double Flange Short Standard Linear Bearing

Part No.	Series	Color	A	B	C	D	E	F	G	H	J	K	L	M	N
6723	10	Clear	1.218"	.312"	.906"	.094"	2.630"	.156"	2.318"	.156"	.654"	.156"	3.938"	1.875"	
6723-Black	10	Black	1.218"	.312"	.906"	.094"	2.630"	.156"	2.318"	.156"	.654"	.156"	3.938"	1.875"	
6823	15	Clear	1.875"	.375"	1.500"	.125"	4.005"	.250"	3.505"	.250"	.748"	.250"	5.500"	2.812"	
6823-Black	15	Black	1.875"	.375"	1.500"	.125"	4.005"	.250"	3.505"	.250"	.748"	.250"	5.500"	2.812"	
25-6723	25	Clear	31.24mm	8.00mm	23.24mm	1.80mm	66.29mm	3.99mm	58.32mm	3.99mm	16.48mm	3.99mm	99.26mm	47.00mm	
25-6723-Black	25	Black	31.24mm	8.00mm	23.24mm	1.80mm	66.29mm	3.99mm	58.32mm	3.99mm	16.48mm	3.99mm	99.26mm	47.00mm	
40-6823	40	Clear	50.00mm	9.00mm	41.00mm	2.58mm	105.31mm	6.15mm	93.01mm	6.15mm	19.00mm	6.15mm	143.31mm	75.00mm	
40-6823-Black	40	Black	50.00mm	9.00mm	41.00mm	2.58mm	105.31mm	6.15mm	93.01mm	6.15mm	19.00mm	6.15mm	143.31mm	75.00mm	
			P	Q	R	S	T	U	V	W	X	Y	Z	AA	Weight
6723	10	Clear	.438"	1.469"	.344"	1.000"	#8 FHSCS		.257"	3.250"	1.000"	1.000"	.438"	.406"	.247 lb
6723-Black	10	Black	.438"	1.469"	.344"	1.000"	#8 FHSCS		.257"	3.250"	1.000"	1.000"	.438"	.406"	.247 lb
6823	15	Clear	.656"	2.000"	.375"	1.500"	#10 FHSCS		.328"	4.750"	1.500"	1.500"	.656"	.625"	.797 lb
6823-Black	15	Black	.656"	2.000"	.375"	1.500"	#10 FHSCS		.328"	4.750"	1.500"	1.500"	.656"	.625"	.797 lb
25-6723	25	Clear	11.00mm	37.13mm	8.48mm	25.00mm	#8 FHSCS		6.53mm	82.23mm	25.00mm	25.00mm	11.00mm	10.69mm	.1154 kg
25-6723-Black	25	Black	11.00mm	37.13mm	8.48mm	25.00mm	#8 FHSCS		6.53mm	82.23mm	25.00mm	25.00mm	11.00mm	10.69mm	.1154 kg
40-6823	40	Clear	17.50mm	51.66mm	9.50mm	40.00mm	#10 FHSCS		8.33mm	124.31mm	40.00mm	40.00mm	17.50mm	17.42mm	.3792 kg
40-6823-Black	40	Black	17.50mm	51.66mm	9.50mm	40.00mm	#10 FHSCS		8.33mm	124.31mm	40.00mm	40.00mm	17.50mm	17.42mm	.3792 kg

## 4 Slot Mount - Double Flange Short Standard Linear Bearing with Brake Holes

Part No.	Series	Color	A	B	C	D	E	F	G	H	J	K	L	M	N
6423	10	Clear	1.218"	.312"	.906"	.094"	2.630"	.156"	2.318"	.156"	.654"	.156"	3.938"	1.875"	.938"
6423-Black	10	Black	1.218"	.312"	.906"	.094"	2.630"	.156"	2.318"	.156"	.654"	.156"	3.938"	1.875"	.938"
6523	15	Clear	1.875"	.375"	1.500"	.125"	4.005"	.250"	3.505"	.250"	.748"	.250"	5.500"	2.812"	1.406"
6523-Black	15	Black	1.875"	.375"	1.500"	.125"	4.005"	.250"	3.505"	.250"	.748"	.250"	5.500"	2.812"	1.406"
25-6423	25	Clear	31.24mm	8.00mm	23.24mm	1.80mm	66.29mm	3.99mm	58.32mm	3.99mm	16.48mm	3.99mm	99.26mm	47.00mm	23.50mm
25-6423-Black	25	Black	31.24mm	8.00mm	23.24mm	1.80mm	66.29mm	3.99mm	58.32mm	3.99mm	16.48mm	3.99mm	99.26mm	47.00mm	23.50mm
40-6523	40	Clear	50.00mm	9.00mm	41.00mm	2.58mm	105.31mm	6.15mm	93.01mm	6.15mm	19.00mm	6.15mm	143.31mm	75.00mm	37.50mm
40-6523-Black	40	Black	50.00mm	9.00mm	41.00mm	2.58mm	105.31mm	6.15mm	93.01mm	6.15mm	19.00mm	6.15mm	143.31mm	75.00mm	37.50mm
			P	Q	R	S	T	U	V	W	X	Y	Z	AA	Weight
6423	10	Clear	.438"	1.469"	.344"	1.000"	#8 FHSCS	.265"	.257"	3.250"	1.000"	1.000"	.438"	.406"	.244 lb
6423-Black	10	Black	.438"	1.469"	.344"	1.000"	#8 FHSCS	.265"	.257"	3.250"	1.000"	1.000"	.438"	.406"	.244 lb
6523	15	Clear	.656"	2.000"	.375"	1.500"	#10 FHSCS	.343"	.328"	4.750"	1.500"	1.500"	.656"	.625"	.785 lb
6523-Black	15	Black	.656"	2.000"	.375"	1.500"	#10 FHSCS	.343"	.328"	4.750"	1.500"	1.500"	.656"	.625"	.785 lb
25-6423	25	Clear	11.00mm	37.13mm	8.48mm	25.00mm	#8 FHSCS	6.53mm	6.53mm	82.23mm	25.00mm	25.00mm	11.00mm	10.69mm	.1076 kg
25-6423-Black	25	Black	11.00mm	37.13mm	8.48mm	25.00mm	#8 FHSCS	6.53mm	6.53mm	82.23mm	25.00mm	25.00mm	11.00mm	10.69mm	.1076 kg
40-6523	40	Clear	17.50mm	51.66mm	9.50mm	40.00mm	#10 FHSCS	8.71mm	8.33mm	124.31mm	40.00mm	40.00mm	17.50mm	17.42mm	.3702 kg
40-6523-Black	40	Black	17.50mm	51.66mm	9.50mm	40.00mm	#10 FHSCS	8.71mm	8.33mm	124.31mm	40.00mm	40.00mm	17.50mm	17.42mm	.3702 kg

## Material Specifications

Material	Grade	Process	Finish
Aluminum	6105-T5	Extrude	Anodize

## 4 Slot Mount - Double Flange Long Standard Linear Bearing

### Part Description:

The 4 slot mount – double flange long standard linear bearing with or without brake holes is typically used in linear motion applications. It houses profiles with a minimum of four open T-slots, has a double flange and is a longer option. The bearing includes pads, screws and shims; the pads are made of self-lubricating UHMW. All 80/20 bearings are designed for compression loads only and not intended to support hanging loads.



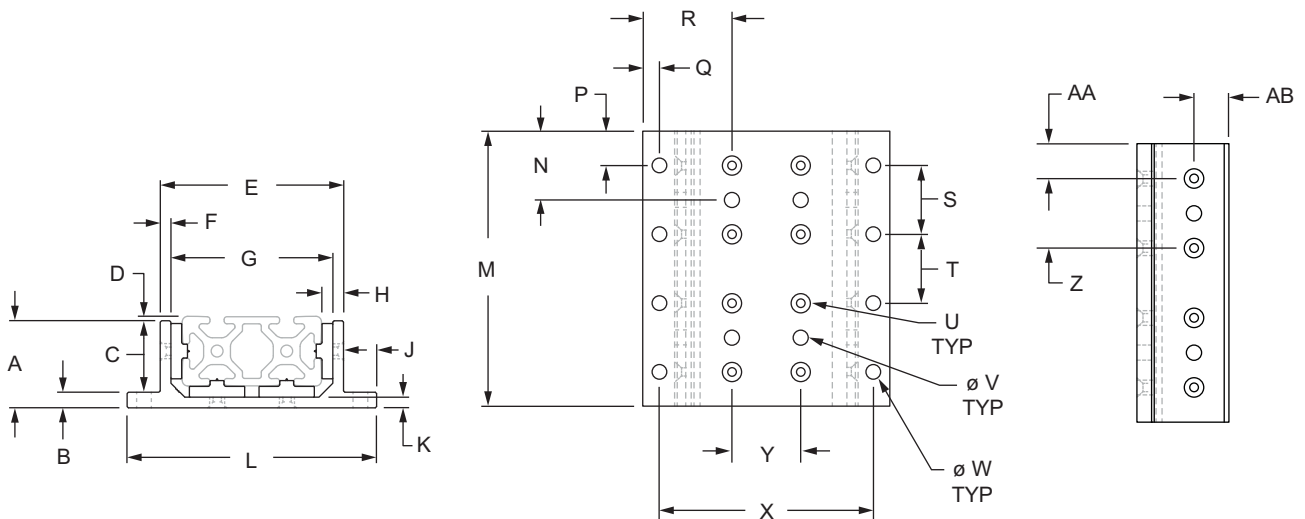
**Fractional**



**Metric**



**Black Anodized**



CONTINUE

## 4 Slot Mount - Double Flange Long Standard Linear Bearing (Continued)

## 4 Slot Mount - Double Flange Long Standard Linear Bearing

Part No.	Series	Color	A	B	C	D	E	F	G	H	J	K	L	M	N		
6724	10	Clear	1.218"	.312"	.906"	.094"	2.630"	.156"	2.318"	.156"	.654"	.156"	3.938"	4.000"	—		
6724-Black	10	Black	1.218"	.312"	.906"	.094"	2.630"	.156"	2.318"	.156"	.654"	.156"	3.938"	4.000"			
6824	15	Clear	1.875"	.375"	1.500"	.125"	4.005"	.250"	3.505"	.250"	.748"	.250"	5.500"	6.000"			
6824-Black	15	Black	1.875"	.375"	1.500"	.125"	4.005"	.250"	3.505"	.250"	.748"	.250"	5.500"	6.000"			
25-6724	25	Clear	31.24mm	8.00mm	23.24mm	1.80mm	66.29mm	3.99mm	58.32mm	3.99mm	16.48mm	3.99mm	99.26mm	100.00mm			
25-6724-Black	25	Black	31.24mm	8.00mm	23.24mm	1.80mm	66.29mm	3.99mm	58.32mm	3.99mm	16.48mm	3.99mm	99.26mm	100.00mm			
40-6824	40	Clear	50.00mm	9.00mm	41.00mm	2.58mm	105.31mm	6.15mm	93.01mm	6.15mm	19.00mm	6.15mm	143.31mm	160.00mm			
40-6824-Black	40	Black	50.00mm	9.00mm	41.00mm	2.58mm	105.31mm	6.15mm	93.01mm	6.15mm	19.00mm	6.15mm	143.31mm	160.00mm			
			P	Q	R	S	T	U	V	W	X	Y	Z	AA		AB	Weight
6724	10	.500"	1.469"	.344"	1.000"	1.000"	#8 FHSCS		.257"	3.250"	1.000"	1.000"	.500"	.406"		.519 lb	
6724-Black	10	.500"	1.469"	.344"	1.000"	1.000"	#8 FHSCS		.257"	3.250"	1.000"	1.000"	.500"	.406"	.519 lb		
6824	15	.750"	2.000"	.375"	1.500"	1.500"	#10 FHSCS		.328"	4.750"	1.500"	1.500"	.750"	.625"	1.691 lb		
6824-Black	15	.750"	2.000"	.375"	1.500"	1.500"	#10 FHSCS		.328"	4.750"	1.500"	1.500"	.750"	.625"	1.691 lb		
25-6724	25	12.50mm	37.13mm	8.48mm	25.00mm	25.00mm	#8 FHSCS		6.53mm	82.23mm	25.00mm	25.00mm	12.50mm	10.69mm	.2393 kg		
25-6724-Black	25	12.50mm	37.13mm	8.48mm	25.00mm	25.00mm	#8 FHSCS		6.53mm	82.23mm	25.00mm	25.00mm	12.50mm	10.69mm	.2393 kg		
40-6824	40	20.00mm	51.66mm	9.50mm	40.00mm	40.00mm	#10 FHSCS		8.33mm	124.31mm	40.00mm	40.00mm	20.00mm	17.42mm	.7938 kg		
40-6824-Black	40	20.00mm	51.66mm	9.50mm	40.00mm	40.00mm	#10 FHSCS		8.33mm	124.31mm	40.00mm	40.00mm	20.00mm	17.42mm	.7938 kg		

## 4 Slot Mount - Double Flange Long Standard Linear Bearing with Brake Holes

Part No.	Series	Color	A	B	C	D	E	F	G	H	J	K	L	M	N	
6424	10	Clear	1.218"	.312"	.906"	.094"	2.630"	.156"	2.318"	.156"	.654"	.156"	3.938"	4.000"	1.000"	
6424-Black	10	Black	1.218"	.312"	.906"	.094"	2.630"	.156"	2.318"	.156"	.654"	.156"	3.938"	4.000"	1.000"	
6524	15	Clear	1.875"	.375"	1.500"	.125"	4.005"	.250"	3.505"	.250"	.748"	.250"	5.500"	6.000"	1.500"	
6524-Black	15	Black	1.875"	.375"	1.500"	.125"	4.005"	.250"	3.505"	.250"	.748"	.250"	5.500"	6.000"	1.500"	
25-6424	25	Clear	31.24mm	8.00mm	23.24mm	1.80mm	66.29mm	3.99mm	58.32mm	3.99mm	16.48mm	3.99mm	99.26mm	100.00mm	25.00mm	
25-6424-Black	25	Black	31.24mm	8.00mm	23.24mm	1.80mm	66.29mm	3.99mm	58.32mm	3.99mm	16.48mm	3.99mm	99.26mm	100.00mm	25.00mm	
40-6524	40	Clear	50.00mm	9.00mm	41.00mm	2.58mm	105.31mm	6.15mm	93.01mm	6.15mm	19.00mm	6.15mm	143.31mm	160.00mm	40.00mm	
40-6524-Black	40	Black	50.00mm	9.00mm	41.00mm	2.58mm	105.31mm	6.15mm	93.01mm	6.15mm	19.00mm	6.15mm	143.31mm	160.00mm	40.00mm	
			P	Q	R	S	T	U	V	W	X	Y	Z	AA	AB	Weight
6424	10	.500"	1.469"	.344"	1.000"	1.000"	#8 FHSCS	.265"	.257"	3.250"	1.000"	1.000"	.500"	.406"	.515 lb	
6424-Black	10	.500"	1.469"	.344"	1.000"	1.000"	#8 FHSCS	.265"	.257"	3.250"	1.000"	1.000"	.500"	.406"	.515 lb	
6524	15	.750"	2.000"	.375"	1.500"	1.500"	#10 FHSCS	.343"	.328"	4.750"	1.500"	1.500"	.750"	.625"	1.668 lb	
6524-Black	15	.750"	2.000"	.375"	1.500"	1.500"	#10 FHSCS	.343"	.328"	4.750"	1.500"	1.500"	.750"	.625"	1.668 lb	
25-6424	25	12.50mm	37.13mm	8.48mm	25.00mm	25.00mm	#8 FHSCS	6.53mm	6.53mm	82.23mm	25.00mm	25.00mm	12.50mm	10.69mm	.2265 kg	
25-6424-Black	25	12.50mm	37.13mm	8.48mm	25.00mm	25.00mm	#8 FHSCS	6.53mm	6.53mm	82.23mm	25.00mm	25.00mm	12.50mm	10.69mm	.2265 kg	
40-6524	40	20.00mm	51.66mm	9.50mm	40.00mm	40.00mm	#10 FHSCS	8.71mm	8.33mm	124.31mm	40.00mm	40.00mm	20.00mm	17.42mm	.7879 kg	
40-6524-Black	40	20.00mm	51.66mm	9.50mm	40.00mm	40.00mm	#10 FHSCS	8.71mm	8.33mm	124.31mm	40.00mm	40.00mm	20.00mm	17.42mm	.7879 kg	

## Material Specifications

Material	Grade	Process	Finish
Aluminum	6105-T5	Extrude	Anodize

## 3 Slot Mount - Single Flange Short High-Cycle Linear Bearing

### Part Description:

The 3 slot mount – single flange short high-cycle linear bearing is typically used in linear motion applications. It contains special threaded inserts in the pads which provide a heavy-duty bearing, with or without holes, capable of withstanding repetitive cycles with sudden acceleration and deceleration. The bearing houses profiles with a minimum of three open T-slots, has a single flange and is a shorter option. The pads, screws and shims are included; the pads are made of self-lubricating UHMW. All 80/20 bearings are designed for compression loads only and not intended to support hanging loads.



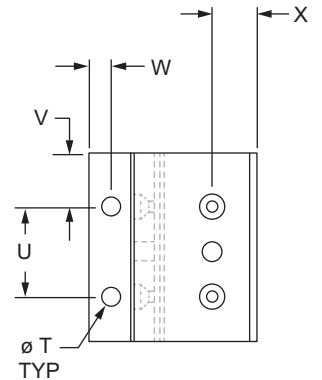
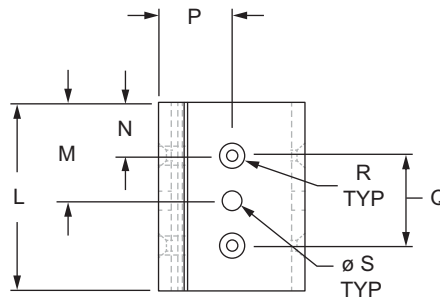
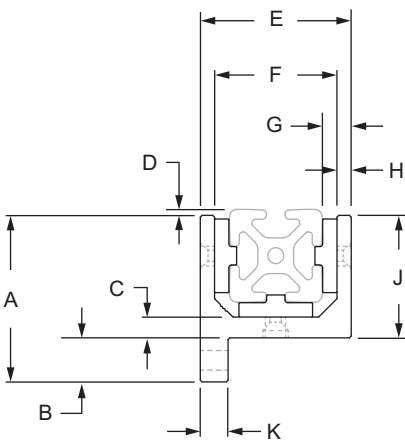
**Fractional**



**Metric**



**Black Anodized**



CONTINUE

80/20<sup>®</sup> 3 Slot Mount - Single Flange Short High-Cycle Linear Bearing (Continued)

## 3 Slot Mount - Single Flange Short High-Cycle Linear Bearing

Part No.	Series	Color	A	B	C	D	E	F	G	H	J	K	L	
6830	15	Clear	2.750"	.750"	.375"	.125"	2.505"	2.005"	.493"	.250"	2.000"	.500"	2.812"	
6830-Black	15	Black	2.750"	.750"	.375"	.125"	2.505"	2.005"	.493"	.250"	2.000"	.500"	2.812"	
40-6830	40	Clear	71.83mm	19.00mm	8.99mm	2.58mm	65.13mm	52.83mm	12.32mm	6.15mm	52.83mm	11.99mm	75.00mm	
40-6830-Black	40	Black	71.83mm	19.00mm	8.99mm	2.58mm	65.13mm	52.83mm	12.32mm	6.15mm	52.83mm	11.99mm	75.00mm	
			M	N	P	Q	R	S	T	U	V	W	X	Weight
6830	15		.656"	1.253"	1.500"	10-32 FHSCS			.328"	1.500"	.656"	.375"	.625"	.708 lb
6830-Black	15		.656"	1.253"	1.500"	10-32 FHSCS			.328"	1.500"	.656"	.375"	.625"	.708 lb
40-6830	40		17.50mm	32.56mm	40.00mm	10-32 FHSCS			8.33mm	40.00mm	17.50mm	9.53mm	17.42mm	.3415 kg
40-6830-Black	40		17.50mm	32.56mm	40.00mm	10-32 FHSCS			8.33mm	40.00mm	17.50mm	9.53mm	17.42mm	.3415 kg

## 3 Slot Mount - Single Flange Short High-Cycle Linear Bearing with Brake Holes

Part No.	Series	Color	A	B	C	D	E	F	G	H	J	K	L	
6530	15	Clear	2.750"	.750"	.375"	.125"	2.505"	2.005"	.493"	.250"	2.000"	.500"	2.812"	
6530-Black	15	Black	2.750"	.750"	.375"	.125"	2.505"	2.005"	.493"	.250"	2.000"	.500"	2.812"	
40-6530	40	Clear	71.83mm	19.00mm	8.99mm	2.58mm	65.13mm	52.83mm	12.32mm	6.15mm	52.83mm	11.99mm	75.00mm	
40-6530-Black	40	Black	71.83mm	19.00mm	8.99mm	2.58mm	65.13mm	52.83mm	12.32mm	6.15mm	52.83mm	11.99mm	75.00mm	
			M	N	P	Q	R	S	T	U	V	W	X	Weight
6530	15	1.406"	.656"	1.253"	1.500"	10-32 FHSCS	.344"		.328"	1.500"	.656"	.375"	.625"	.697 lb
6530-Black	15	1.406"	.656"	1.253"	1.500"	10-32 FHSCS	.344"		.328"	1.500"	.656"	.375"	.625"	.697 lb
40-6530	40	37.50mm	17.50mm	32.56mm	40.00mm	10-32 FHSCS	8.71mm	8.33mm	40.00mm	17.50mm	9.53mm	17.42mm	.3371 kg	
40-6530-Black	40	37.50mm	17.50mm	32.56mm	40.00mm	10-32 FHSCS	8.71mm	8.33mm	40.00mm	17.50mm	9.53mm	17.42mm	.3371 kg	

## Material Specifications

Material	Grade	Process	Finish
Aluminum	6105-T5	Extrude	Anodize



## 3 Slot Mount - Single Flange Long High-Cycle Linear Bearing

### Part Description:

The 3 slot mount – single flange long high-cycle linear bearing with or without brake holes is typically used in linear motion applications. It contains special threaded inserts in the pads which provide a heavy-duty bearing capable of withstanding repetitive cycles with sudden acceleration and deceleration. The bearing houses profiles with a minimum of three open T-slots, has a single flange and is a longer option. The pads, screws and shims are included; the pads are made of self-lubricating UHMW. All 80/20 bearing are designed for compression loads only and not intended to support hanging loads.



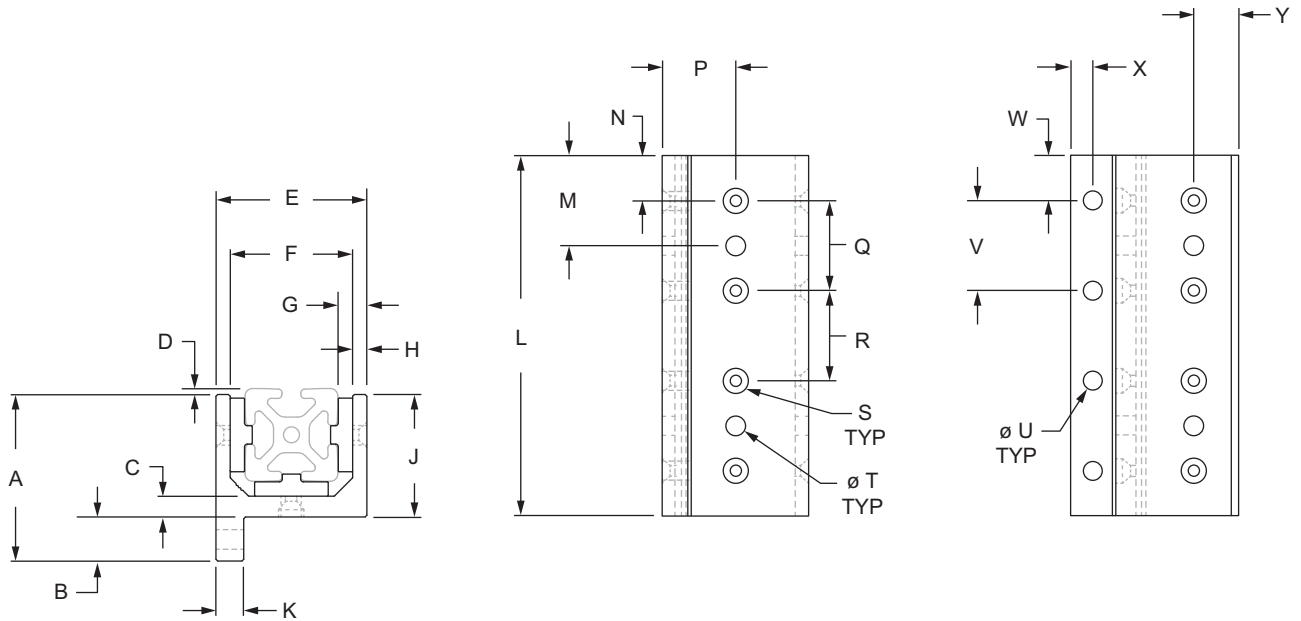
**Fractional**



**Metric**



**Black Anodized**



CONTINUE

80/20<sup>®</sup>  
3 Slot Mount - Single Flange Long High-Cycle Linear Bearing (Continued)

## 3 Slot Mount - Single Flange Long High-Cycle Linear Bearing

Part No.	Series	Color	A	B	C	D	E	F	G	H	J	K	L	M
6831	15	Clear	2.750"	.750"	.375"	.125"	2.505"	2.005"	.493"	.250"	2.000"	.500"	6.000"	—
6831-Black	15	Black	2.750"	.750"	.375"	.125"	2.505"	2.005"	.493"	.250"	2.000"	.500"	6.000"	
40-6831	40	Clear	71.83mm	19.00mm	8.99mm	2.58mm	65.13mm	52.83mm	12.32mm	6.15mm	52.83mm	11.99mm	160.00mm	
40-6831-Black	40	Black	71.83mm	19.00mm	8.99mm	2.58mm	65.13mm	52.83mm	12.32mm	6.15mm	52.83mm	11.99mm	160.00mm	
			N	P	Q	R	S	T	U	V	W	X	Y	Weight
6831	15	Clear	.750"	1.253"	1.500"	1.500"	10-32 FHSCS	—	.328"	1.500"	.656"	.375"	.625"	1.495 lb
6831-Black	15	Black	.750"	1.253"	1.500"	1.500"	10-32 FHSCS		.328"	1.500"	.656"	.375"	.625"	1.495 lb
40-6831	40	Clear	20.00mm	32.56mm	40.00mm	40.00mm	10-32 FHSCS		8.33mm	40.00mm	20.00mm	9.53mm	17.42mm	.7166 kg
40-6831-Black	40	Black	20.00mm	32.56mm	40.00mm	40.00mm	10-32 FHSCS		8.33mm	40.00mm	20.00mm	9.53mm	17.42mm	.7166 kg

## 3 Slot Mount - Single Flange Long High-Cycle Linear Bearing with Brake Holes

Part No.	Series	Color	A	B	C	D	E	F	G	H	J	K	L	M
6531	15	Clear	2.750"	.750"	.375"	.125"	2.505"	2.005"	.493"	.250"	2.000"	.500"	6.000"	1.500"
6531-Black	15	Black	2.750"	.750"	.375"	.125"	2.505"	2.005"	.493"	.250"	2.000"	.500"	6.000"	1.500"
40-6531	40	Clear	71.83mm	19.00mm	8.99mm	2.58mm	65.13mm	52.83mm	12.32mm	6.15mm	52.83mm	11.99mm	160.00mm	40.00mm
40-6531-Black	40	Black	71.83mm	19.00mm	8.99mm	2.58mm	65.13mm	52.83mm	12.32mm	6.15mm	52.83mm	11.99mm	160.00mm	40.00mm
			N	P	Q	R	S	T	U	V	W	X	Y	Weight
6531	15	Clear	.750"	1.253"	1.500"	1.500"	10-32 FHSCS	.344"	.328"	1.500"	.656"	.375"	.625"	1.476 lb
6531-Black	15	Black	.750"	1.253"	1.500"	1.500"	10-32 FHSCS	.344"	.328"	1.500"	.656"	.375"	.625"	1.476 lb
40-6531	40	Clear	20.00mm	32.56mm	40.00mm	40.00mm	10-32 FHSCS	8.71mm	8.33mm	40.00mm	20.00mm	9.53mm	17.42mm	.7087 kg
40-6531-Black	40	Black	20.00mm	32.56mm	40.00mm	40.00mm	10-32 FHSCS	8.71mm	8.33mm	40.00mm	20.00mm	9.53mm	17.42mm	.7087 kg

## Material Specifications

Material	Grade	Process	Finish
Aluminum	6105-T5	Extrude	Anodize

## 3 Slot Mount - Double Flange Short High-Cycle Linear Bearing

### Part Description:

The 3 slot mount – double flange short high-cycle linear bearing with or without brake holes is typically used in linear motion applications. It contains special threaded inserts in the pads which provide a heavy-duty bearing capable of withstanding repetitive cycles with sudden acceleration and deceleration. The bearing houses profiles with a minimum of three open T-slots, has a double flange and is a shorter option. The pads, screws and shims are included; the pads are made of self-lubricating UHMW. All 80/20 bearing are designed for compression loads only and not intended to support hanging loads.



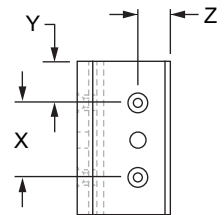
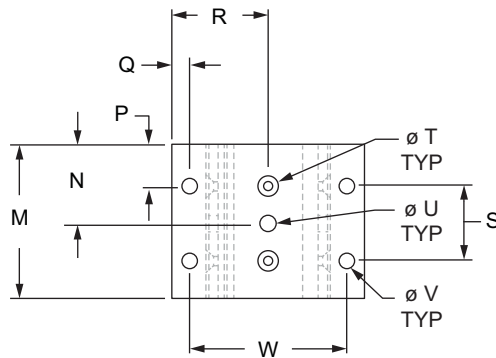
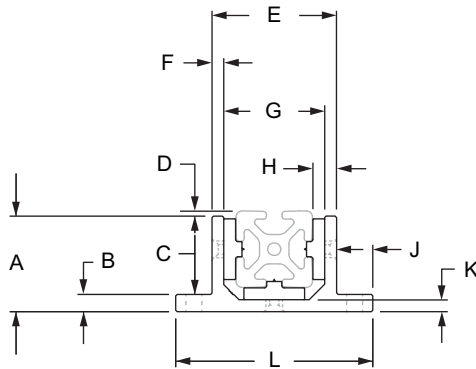
**Fractional**



**Metric**



**Black Anodized**



CONTINUE

80/20<sup>®</sup> 3 Slot Mount - Double Flange Short High-Cycle Linear Bearing (Continued)

## 3 Slot Mount - Double Flange Short High-Cycle Linear Bearing

Part No.	Series	Color	A	B	C	D	E	F	G	H	J	K	L	M
6835	15	Clear	1.875"	.375"	1.500"	.125"	2.505"	.250"	2.005"	.493"	.748"	.250"	4.000"	2.812"
6835-Black	15	Black	1.875"	.375"	1.500"	.125"	2.505"	.250"	2.005"	.493"	.748"	.250"	4.000"	2.812"
40-6835	40	Clear	50.00mm	9.00mm	41.00mm	2.58mm	65.12mm	6.15mm	52.82mm	12.32mm	19.00mm	6.15mm	103.12mm	75.00mm
40-6835-Black	40	Black	50.00mm	9.00mm	41.00mm	2.58mm	65.12mm	6.15mm	52.82mm	12.32mm	19.00mm	6.15mm	103.12mm	75.00mm
		N	P	Q	R	S	T	U	V	W	X	Y	Z	Weight
6835	15		.656"	.375"	2.000"	1.500"	10-32 FHSCS		.328"	3.250"	1.500"	.656"	.625"	.673 lb
6835-Black	15		.656"	.375"	2.000"	1.500"	10-32 FHSCS		.328"	3.250"	1.500"	.656"	.625"	.673 lb
40-6835	40		17.50mm	9.50mm	51.56mm	40.00mm	10-32 FHSCS		8.33mm	84.12mm	40.00mm	17.50mm	17.42mm	.3140 kg
40-6835-Black	40		17.50mm	9.50mm	51.56mm	40.00mm	10-32 FHSCS		8.33mm	84.12mm	40.00mm	17.50mm	17.42mm	.3140 kg

## 3 Slot Mount - Double Flange Short High-Cycle Linear Bearing with Brake Holes

Part No.	Series	Color	A	B	C	D	E	F	G	H	J	K	L	M
6535	15	Clear	1.875"	.375"	1.500"	.125"	2.505"	.250"	2.005"	.493"	.748"	.250"	4.000"	2.812"
6535-Black	15	Black	1.875"	.375"	1.500"	.125"	2.505"	.250"	2.005"	.493"	.748"	.250"	4.000"	2.812"
40-6535	40	Clear	50.00mm	9.00mm	41.00mm	2.58mm	65.12mm	6.15mm	52.82mm	12.32mm	19.00mm	6.15mm	103.12mm	75.00mm
40-6535-Black	40	Black	50.00mm	9.00mm	41.00mm	2.58mm	65.12mm	6.15mm	52.82mm	12.32mm	19.00mm	6.15mm	103.12mm	75.00mm
		N	P	Q	R	S	T	U	V	W	X	Y	Z	Weight
6535	15	1.406"	.656"	.375"	2.000"	1.500"	10-32 FHSCS	.344"	.328"	3.250"	1.500"	.656"	.625"	.665 lb
6535-Black	15	1.406"	.656"	.375"	2.000"	1.500"	10-32 FHSCS	.344"	.328"	3.250"	1.500"	.656"	.625"	.665 lb
40-6535	40	37.50mm	17.50mm	9.50mm	51.56mm	40.00mm	10-32 FHSCS	8.71mm	8.33mm	84.12mm	40.00mm	17.50mm	17.42mm	.3172 kg
40-6535-Black	40	37.50mm	17.50mm	9.50mm	51.56mm	40.00mm	10-32 FHSCS	8.71mm	8.33mm	84.12mm	40.00mm	17.50mm	17.42mm	.3172 kg

## Material Specifications

Material	Grade	Process	Finish
Aluminum	6105-T5	Extrude	Anodize

## 3 Slot Mount - Double Flange Long High-Cycle Linear Bearing

### Part Description:

The 3 slot mount – double flange long high-cycle linear bearing with or without brake holes is typically used in linear motion applications. It contains special threaded inserts in the pads which provide a heavy-duty bearing capable of withstanding repetitive cycles with sudden acceleration and deceleration. The bearing houses profiles with a minimum of three open T-slots, has a double flange and is a longer option. The pads, screws and shims are included; the pads are made of self-lubricating UHMW. All 80/20 bearings are designed for compression loads only and not intended to support hanging loads.



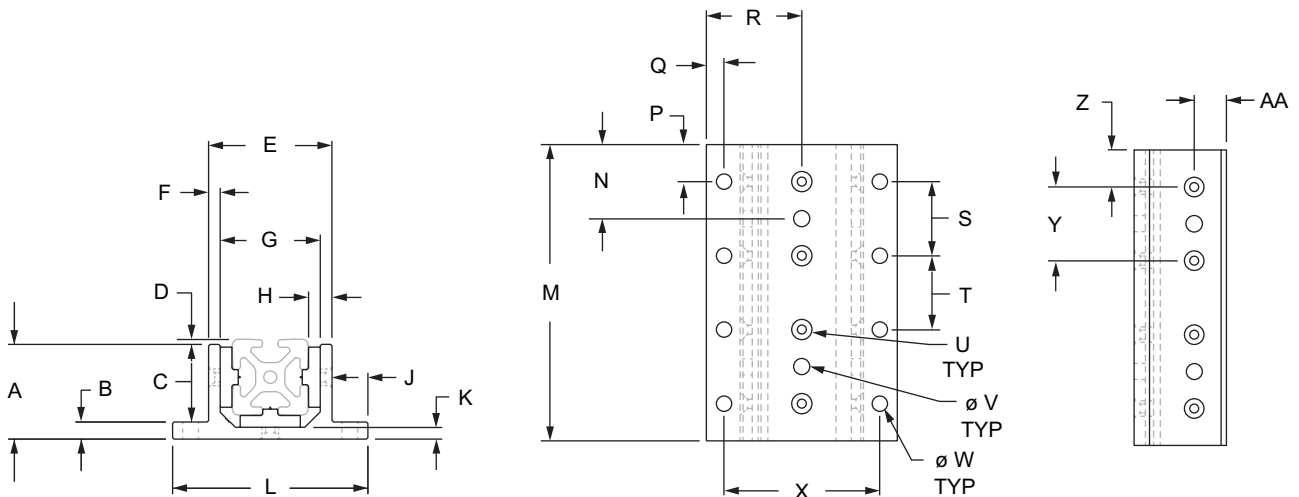
**Fractional**



**Metric**



**Black Anodized**



CONTINUE

80/20<sup>®</sup> 3 Slot Mount - Double Flange Long High-Cycle Linear Bearing (Continued)

## 3 Slot Mount - Double Flange Long High-Cycle Linear Bearing

Part No.	Series	Color	A	B	C	D	E	F	G	H	J	K	L	M	N
6836	15	Clear	1.875"	.375"	1.500"	.125"	2.505"	.250"	2.005"	.493"	.748"	.250"	4.000"	6.000"	—
6836-Black	15	Black	1.875"	.375"	1.500"	.125"	2.505"	.250"	2.005"	.493"	.748"	.250"	4.000"	6.000"	
40-6836	40	Clear	50.00mm	9.00mm	41.00mm	2.58mm	65.12mm	6.15mm	52.82mm	12.32mm	19.00mm	6.15mm	103.12mm	160.00mm	
40-6836-Black	40	Black	50.00mm	9.00mm	41.00mm	2.58mm	65.12mm	6.15mm	52.82mm	12.32mm	19.00mm	6.15mm	103.12mm	160.00mm	
			P	Q	R	S	T	U	V	W	X	Y	Z	AA	Weight
6836	15	Clear	.750"	.375"	2.000"	1.500"	1.500"	10-32 FHSCS	—	.328"	3.250"	1.500"	.750"	.625"	1.425 lb
6836-Black	15	Black	.750"	.375"	2.000"	1.500"	1.500"	10-32 FHSCS		.328"	3.250"	1.500"	.750"	.625"	1.425 lb
40-6836	40	Clear	20.00mm	9.50mm	51.56mm	40.00mm	40.00mm	10-32 FHSCS		8.33mm	84.12mm	40.00mm	20.00mm	17.42mm	.6852 kg
40-6836-Black	40	Black	20.00mm	9.50mm	51.56mm	40.00mm	40.00mm	10-32 FHSCS		8.33mm	84.12mm	40.00mm	20.00mm	17.42mm	.6852 kg

## 3 Slot Mount - Double Flange Long High-Cycle Linear Bearing with Brake Holes

Part No.	Series	Color	A	B	C	D	E	F	G	H	J	K	L	M	N
6536	15	Clear	1.875"	.375"	1.500"	.125"	2.505"	.250"	2.005"	.493"	.748"	.250"	4.000"	6.000"	1.500"
6536-Black	15	Black	1.875"	.375"	1.500"	.125"	2.505"	.250"	2.005"	.493"	.748"	.250"	4.000"	6.000"	1.500"
40-6536	40	Clear	50.00mm	9.00mm	41.00mm	2.58mm	65.12mm	6.15mm	52.82mm	12.32mm	19.00mm	6.15mm	103.12mm	160.00mm	40.00mm
40-6536-Black	40	Black	50.00mm	9.00mm	41.00mm	2.58mm	65.12mm	6.15mm	52.82mm	12.32mm	19.00mm	6.15mm	103.12mm	160.00mm	40.00mm
			P	Q	R	S	T	U	V	W	X	Y	Z	AA	Weight
6536	15	Clear	.750"	.375"	2.000"	1.500"	1.500"	10-32 FHSCS	.344"	.328"	3.250"	1.500"	.750"	.625"	1.408 lb
6536-Black	15	Black	.750"	.375"	2.000"	1.500"	1.500"	10-32 FHSCS	.344"	.328"	3.250"	1.500"	.750"	.625"	1.408 lb
40-6536	40	Clear	20.00mm	9.50mm	51.56mm	40.00mm	40.00mm	10-32 FHSCS	8.71mm	8.33mm	84.12mm	40.00mm	20.00mm	17.42mm	.6814 kg
40-6536-Black	40	Black	20.00mm	9.50mm	51.56mm	40.00mm	40.00mm	10-32 FHSCS	8.71mm	8.33mm	84.12mm	40.00mm	20.00mm	17.42mm	.6814 kg

## Material Specifications

Material	Grade	Process	Finish
Aluminum	6105-T5	Extrude	Anodize

## 4 Slot Mount - Double Flange Short High-Cycle Linear Bearing

### Part Description:

The 4 slot mount – double flange short high-cycle linear bearing with or without brake holes is typically used in linear motion applications. It contains special threaded inserts in the pads which provide a heavy-duty bearing capable of withstanding repetitive cycles with sudden acceleration and deceleration. The bearing houses profiles with a minimum of four open T-slots, has a double flange and is a shorter option. The pads, screws and shims are included; the pads are made of self-lubricating UHMW. All 80/20 bearings are designed for compression loads only and not intended to support hanging loads.



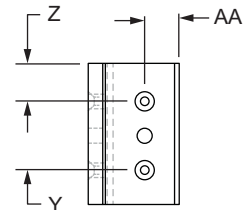
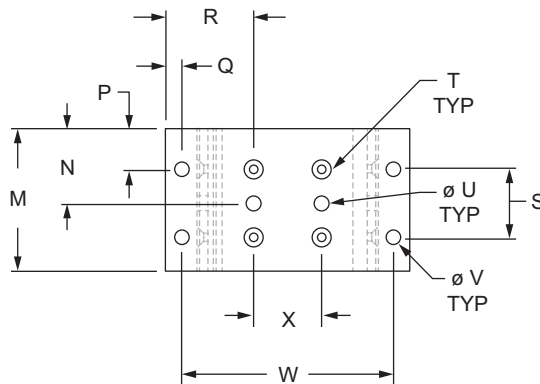
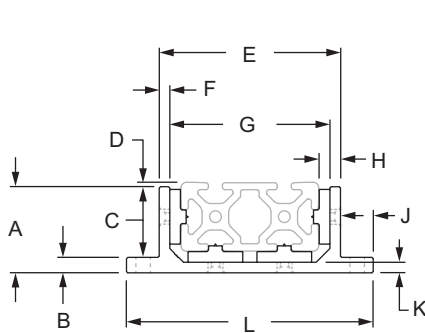
**Fractional**



**Metric**



**Black Anodized**



CONTINUE

80/20<sup>®</sup> 4 Slot Mount - Double Flange Short High-Cycle Linear Bearing (Continued)

## 4 Slot Mount - Double Flange Short High-Cycle Linear Bearing

Part No.	Series	Color	A	B	C	D	E	F	G	H	J	K	L	M	N
6833	15	Clear	1.875"	.375"	1.500"	.125"	4.005"	.250"	3.505"	.493"	.748"	.250"	5.500"	2.812"	—
6833-Black	15	Black	1.875"	.375"	1.500"	.125"	4.005"	.250"	3.505"	.493"	.748"	.250"	5.500"	2.812"	
40-6833	40	Clear	50.00mm	9.00mm	41.00mm	2.58mm	105.31mm	6.15mm	93.01mm	12.32mm	19.00mm	6.15mm	143.31mm	75.00mm	
40-6833-Black	40	Black	50.00mm	9.00mm	41.00mm	2.58mm	105.31mm	6.15mm	93.01mm	12.32mm	19.00mm	6.15mm	143.31mm	75.00mm	
			P	Q	R	S	T	U	V	W	X	Y	Z	AA	Weight
6833	15	Clear	.656"	2.000"	.375"	1.500"	10-32 FHSCS	—	.328"	4.750"	1.500"	1.500"	.656"	.625"	.818 lb
6833-Black	15	Black	.656"	2.000"	.375"	1.500"	10-32 FHSCS		.328"	4.750"	1.500"	1.500"	.656"	.625"	.818 lb
40-6833	40	Clear	17.50mm	51.66mm	9.50mm	40.00mm	10-32 FHSCS		8.33mm	124.31mm	40.00mm	40.00mm	17.50mm	17.42mm	.3842 kg
40-6833-Black	40	Black	17.50mm	51.66mm	9.50mm	40.00mm	10-32 FHSCS		8.33mm	124.31mm	40.00mm	40.00mm	17.50mm	17.42mm	.3842 kg

## 4 Slot Mount - Double Flange Short High-Cycle Linear Bearing with Brake Holes

Part No.	Series	Color	A	B	C	D	E	F	G	H	J	K	L	M	N
6533	15	Clear	1.875"	.375"	1.500"	.125"	4.005"	.250"	3.505"	.493"	.748"	.250"	5.500"	2.812"	1.406"
6533-Black	15	Black	1.875"	.375"	1.500"	.125"	4.005"	.250"	3.505"	.493"	.748"	.250"	5.500"	2.812"	1.406"
40-6533	40	Clear	50.00mm	9.00mm	41.00mm	2.58mm	105.31mm	6.15mm	93.01mm	12.32mm	19.00mm	6.15mm	143.31mm	75.00mm	37.50mm
40-6533-Black	40	Black	50.00mm	9.00mm	41.00mm	2.58mm	105.31mm	6.15mm	93.01mm	12.32mm	19.00mm	6.15mm	143.31mm	75.00mm	37.50mm
			P	Q	R	S	T	U	V	W	X	Y	Z	AA	Weight
6533	15	Clear	.656"	2.000"	.375"	1.500"	10-32 FHSCS	.343"	.328"	4.750"	1.500"	1.500"	.656"	.625"	.808 lb
6533-Black	15	Black	.656"	2.000"	.375"	1.500"	10-32 FHSCS	.343"	.328"	4.750"	1.500"	1.500"	.656"	.625"	.808 lb
40-6533	40	Clear	17.50mm	51.66mm	9.50mm	40.00mm	10-32 FHSCS	8.71mm	8.33mm	124.31mm	40.00mm	40.00mm	17.50mm	17.42mm	.3916 kg
40-6533-Black	40	Black	17.50mm	51.66mm	9.50mm	40.00mm	10-32 FHSCS	8.71mm	8.33mm	124.31mm	40.00mm	40.00mm	17.50mm	17.42mm	.3916 kg

## Material Specifications

Material	Grade	Process	Finish
Aluminum	6105-T5	Extrude	Anodize



## 4 Slot Mount - Double Flange Long High-Cycle Linear Bearing

### Part Description:

The 4 slot mount – double flange long high-cycle linear bearing with or without brake holes is typically used in linear motion applications. It contains special threaded inserts in the pads which provide a heavy-duty bearing capable of withstanding repetitive cycles with sudden acceleration and deceleration. The bearing houses profiles with a minimum of four open T-slots, has a double flange and is a longer option. The pads, screws and shims are included; the pads are made of self-lubricating UHMW. All 80/20 bearings are designed for compression loads only and not intended to support hanging loads.



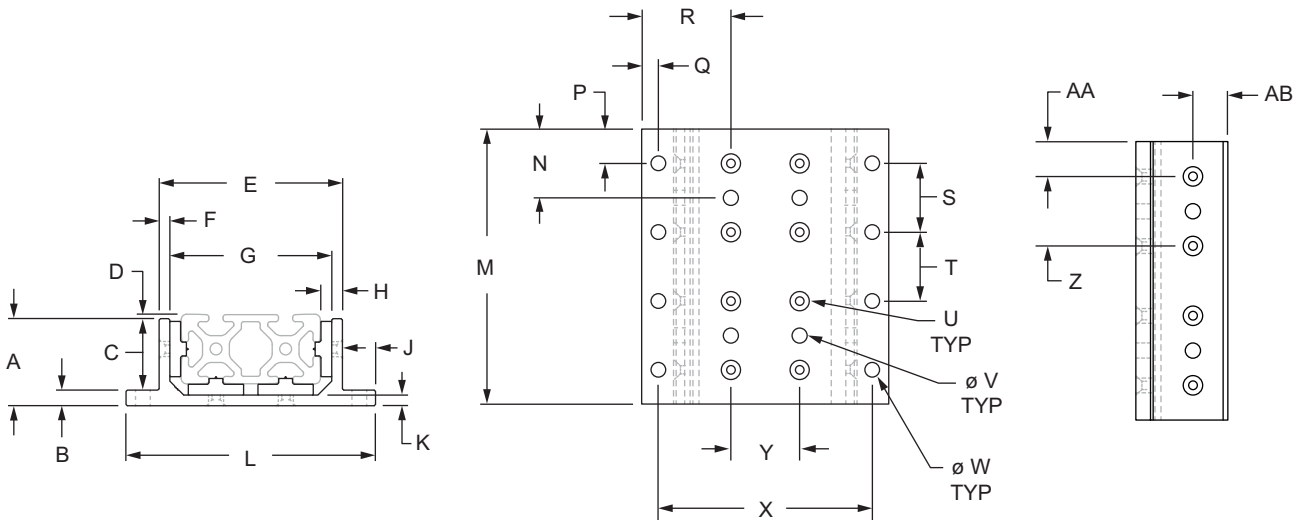
**Fractional**



**Metric**



**Black Anodized**



CONTINUE

80/20®  
4 Slot Mount - Double Flange Long High-Cycle Linear Bearing (Continued)

## 4 Slot Mount - Double Flange Long High-Cycle Linear Bearing

Part No.	Series	Color	A	B	C	D	E	F	G	H	J	K	L	M	N	
6834	15	Clear	1.875"	.375"	1.500"	.125"	4.005"	.250"	3.505"	.493"	.748"	.250"	5.500"	6.000"	—	
6834-Black	15	Black	1.875"	.375"	1.500"	.125"	4.005"	.250"	3.505"	.493"	.748"	.250"	5.500"	6.000"		
40-6834	40	Clear	50.00mm	9.00mm	41.00mm	2.58mm	105.31mm	6.15mm	93.01mm	12.32mm	19.00mm	6.15mm	143.31mm	160.00mm		
40-6834-Black	40	Black	50.00mm	9.00mm	41.00mm	2.58mm	105.31mm	6.15mm	93.01mm	12.32mm	19.00mm	6.15mm	143.31mm	160.00mm		
			P	Q	R	S	T	U	V	W	X	Y	Z	AA	AB	Weight
6834	15		.750"	.375"	2.000"	1.500"	1.500"	10-32 FHSCS	—	.328"	4.750"	1.500"	1.500"	.750"	.625"	1.727 lb
6834-Black	15		.750"	.375"	2.000"	1.500"	1.500"	10-32 FHSCS		.328"	4.750"	1.500"	1.500"	.750"	.625"	1.727 lb
40-6834	40		20.00mm	9.50mm	51.66mm	40.00mm	40.00mm	10-32 FHSCS		8.33mm	124.31mm	40.00mm	40.00mm	20.00mm	17.42mm	.8142 kg
40-6834-Black	40		20.00mm	9.50mm	51.66mm	40.00mm	40.00mm	10-32 FHSCS		8.33mm	124.31mm	40.00mm	40.00mm	20.00mm	17.42mm	.8142 kg

## 4 Slot Mount - Double Flange Long High-Cycle Linear Bearing with Brake Holes

Part No.	Series	Color	A	B	C	D	E	F	G	H	J	K	L	M	N	
6534	15	Clear	1.875"	.375"	1.500"	.125"	4.005"	.250"	3.505"	.493"	.748"	.250"	5.500"	6.000"	1.500"	
6534-Black	15	Black	1.875"	.375"	1.500"	.125"	4.005"	.250"	3.505"	.493"	.748"	.250"	5.500"	6.000"	1.500"	
40-6534	40	Clear	50.00mm	9.00mm	41.00mm	2.58mm	105.31mm	6.15mm	93.01mm	12.32mm	19.00mm	6.15mm	143.31mm	160.00mm	40.00mm	
40-6534-Black	40	Black	50.00mm	9.00mm	41.00mm	2.58mm	105.31mm	6.15mm	93.01mm	12.32mm	19.00mm	6.15mm	143.31mm	160.00mm	40.00mm	
			P	Q	R	S	T	U	V	W	X	Y	Z	AA	AB	Weight
6534	15		.750"	.375"	2.000"	1.500"	1.500"	10-32 FHSCS	.343"	.328"	4.750"	1.500"	1.500"	.750"	.625"	1.706 lb
6534-Black	15		.750"	.375"	2.000"	1.500"	1.500"	10-32 FHSCS	.343"	.328"	4.750"	1.500"	1.500"	.750"	.625"	1.706 lb
40-6534	40		20.00mm	9.50mm	51.66mm	40.00mm	40.00mm	10-32 FHSCS	8.71mm	8.33mm	124.31mm	40.00mm	40.00mm	20.00mm	17.42mm	.8204 kg
40-6534-Black	40		20.00mm	9.50mm	51.66mm	40.00mm	40.00mm	10-32 FHSCS	8.71mm	8.33mm	124.31mm	40.00mm	40.00mm	20.00mm	17.42mm	.8204 kg

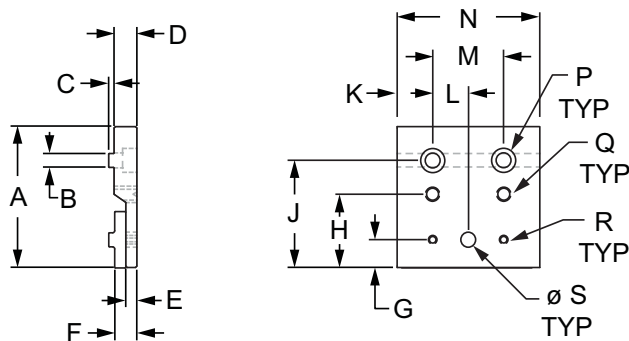
## Material Specifications

Material	Grade	Process	Finish
Aluminum	6105-T5	Extrude	Anodize

## Single Short UniBearing™

### Part Description:

The single short UniBearing™ has an open design that enables customized layouts. It is an option that is commonly used in applications with one guiderail. The UniBearing™ is easy to quickly install or remove without taking it apart, allowing reduced retooling and downtime and increased productivity and flexibility. The pads are mounted using stainless steel flathead socket cap screws that secure it to the housing and eliminate the need for high-cycle pads. The bearing can move or be fixed; when fixed, it allows the guardrail and assembly to move. All UniBearings™ come with pre-drilled brake holes and tapped mounting holes that enable attachment of accessories to a flat surface.



Part No.	Series	Color	A	B	C	D	E	F	G	H	J
6760	10	Clear	2.063"	.244"	.060"	.312"	.156"	.306"	.398"	1.063"	1.563"
6760-Black	10	Black	2.063"	.244"	.060"	.312"	.156"	.306"	.398"	1.063"	1.563"
6860	15	Clear	3.125"	.309"	.120"	.505"	.245"	.485"	.616"	1.625"	2.375"
6860-Black	15	Black	3.125"	.309"	.120"	.505"	.245"	.485"	.616"	1.625"	3.375"
25-6760	25	Clear	52.40mm	6.20mm	1.52mm	7.92mm	3.96mm	7.77mm	10.11mm	27.00mm	39.70mm
25-6760-Black	25	Black	52.40mm	6.20mm	1.52mm	7.92mm	3.96mm	7.77mm	10.11mm	27.00mm	39.70mm
40-6860	40	Clear	79.38mm	7.85mm	3.05mm	12.83mm	6.22mm	12.32mm	15.65mm	41.28mm	60.33mm
40-6860-Black	40	Black	79.38mm	7.85mm	3.05mm	12.83mm	6.22mm	12.32mm	15.65mm	41.28mm	60.33mm
			K	L	M	N	P	Q	R	S	Weight
6760	10	Clear	.437"	.500"	1.000"	1.875"	1/4-20 SHCS	1/4-20	8-32	.257"	.129 lb
6760-Black	10	Black	.437"	.500"	1.000"	1.875"	1/4-20 SHCS	1/4-20	8-32	.257"	.129 lb
6860	15	Clear	.656"	.750"	1.500"	2.812"	5/16 SHCS	5/16-18	10-24	.328"	.449 lb
6860-Black	15	Black	.656"	.750"	1.500"	2.812"	5/16 SHCS	5/16-18	10-24	.328"	.449 lb
25-6760	25	Clear	11.00mm	12.50mm	25.00mm	47.00mm	M6 SHCS	M6 x 1.0	8-32	6.30mm	.0611 kg
25-6760-Black	25	Black	11.00mm	12.50mm	25.00mm	47.00mm	M6 SHCS	M6 x 1.0	8-32	6.30mm	.0611 kg
40-6860	40	Clear	17.50mm	20.00mm	40.00mm	75.00mm	M8 SHCS	M8 x 1.25	10-24	8.33mm	.2157 kg
40-6860-Black	40	Black	17.50mm	20.00mm	40.00mm	75.00mm	M8 SHCS	M8 x 1.25	10-24	8.33mm	.2157 kg

### Material Specifications

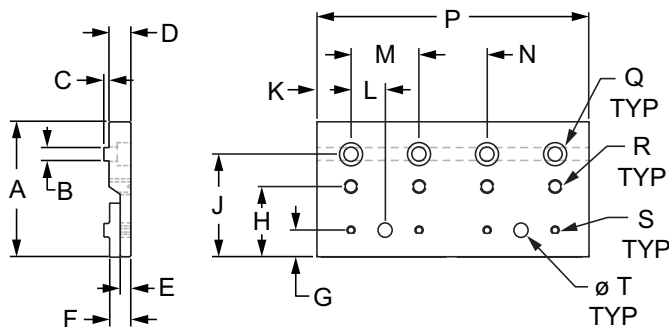
Material	Grade	Process	Finish
Aluminum	6105-T5	Extrude	Anodize

### Included Hardware (Mount to T-Slot)

Series	Part No.	Qty.	Bolt	Part No.	Qty.	T-Nut
10	3058	2	1/4-20 x 3/8 SHCS	3280	1	Double Slide-in Economy
15	3110	2	5/16-18 x 5/8 SHCS	3279	1	Double Slide-in Economy
25	13-6508	2	M6 x 8mm SHCS	25-1962	1	Double Slide-in Economy
40	13-8516	2	M8 x 16mm SHCS	40-1982	1	Double Slide-in Economy

## Part Description:

The single long UniBearing™ has an open design that enables customized layouts. It is an option that is commonly used in applications with one guiderail. The UniBearing™ is easy to quickly install or remove without taking it apart, allowing reduced retooling and downtime and increased productivity and flexibility. The pads are mounted using stainless steel flathead socket cap screws that secure it to the housing and eliminate the need for high-cycle pads. The bearing can move or be fixed; when fixed, it allows the guardrail and assembly to move. All UniBearings™ come with pre-drilled brake holes and tapped mounting holes that enable attachment of accessories to a flat surface.



Part No.	Series	Color	A	B	C	D	E	F	G	H	J	
6762	10	Clear	2.063"	.244"	.060"	.312"	.156"	.306"	.398"	1.063"	1.563"	
6762-Black	10	Black	2.063"	.244"	.060"	.312"	.156"	.306"	.398"	1.063"	1.563"	
6862	15	Clear	3.125"	.309"	.120"	.505"	.245"	.485"	.616"	1.625"	2.375"	
6862-Black	15	Black	3.125"	.309"	.120"	.505"	.245"	.485"	.616"	1.625"	2.375"	
25-6762	25	Clear	52.40mm	6.20mm	1.52mm	7.92mm	3.96mm	4.85mm	10.11mm	27.00mm	39.70mm	
25-6762-Black	25	Black	52.40mm	6.20mm	1.52mm	7.92mm	3.96mm	4.85mm	10.11mm	27.00mm	39.70mm	
40-6862	40	Clear	79.38mm	7.85mm	3.05mm	12.83mm	6.22mm	12.32mm	15.65mm	41.28mm	60.33mm	
40-6862-Black	40	Black	79.38mm	7.85mm	3.05mm	12.83mm	6.22mm	12.32mm	15.65mm	41.28mm	60.33mm	
			K	L	M	N	P	Q	R	S	T	Weight
6762	10	.437"	.500"	1.000"	1.000"	4.000"	1/4-20 SHCS	1/4-20	8-32	.257"	.265 lb	
6762-Black	10	.437"	.500"	1.000"	1.000"	4.000"	1/4-20 SHCS	1/4-20	8-32	.257"	.265 lb	
6862	15	.750"	.750"	1.500"	1.500"	6.000"	5/16 SHCS	5/16-18	10-24	.328"	.933 lb	
6862-Black	15	.750"	.750"	1.500"	1.500"	6.000"	5/16 SHCS	5/16-18	10-24	.328"	.933 lb	
25-6762	25	12.50mm	12.50mm	25.00mm	25.00mm	100.00mm	M6 SHCS	M6 x 1.0	8-32	6.30mm	.1240 kg	
25-6762-Black	25	12.50mm	12.50mm	25.00mm	25.00mm	100.00mm	M6 SHCS	M6 x 1.0	8-32	6.30mm	.1240 kg	
40-6862	40	20.00mm	20.00mm	40.00mm	40.00mm	160.00mm	M8 SHCS	M8 x 1.25	10-24	8.33mm	.4522 kg	
40-6862-Black	40	20.00mm	20.00mm	40.00mm	40.00mm	160.00mm	M8 SHCS	M8 x 1.25	10-24	8.33mm	.4522 kg	

## Material Specifications

Material	Grade	Process	Finish
Aluminum	6105-T5	Extrude	Anodize

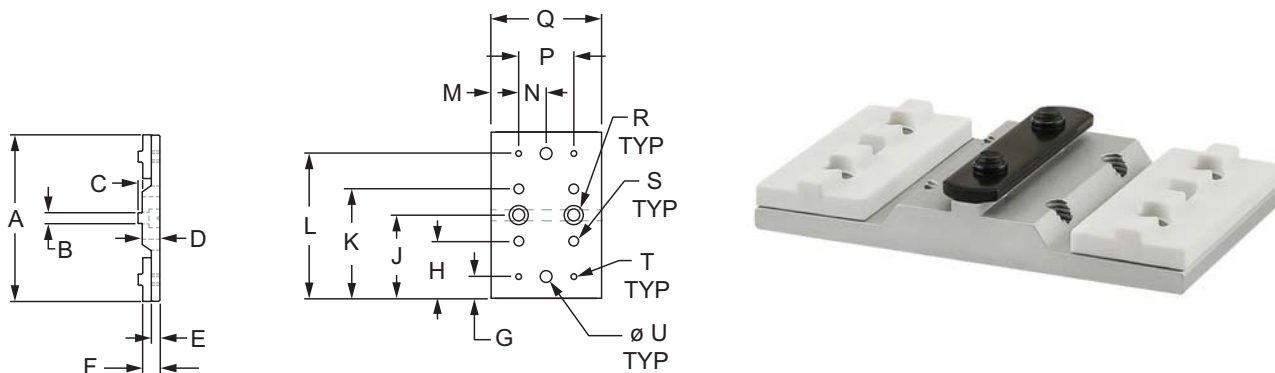
## Included Hardware (Mount to T-Slot)

Series	Part No.	Qty.	Bolt	Part No.	Qty.	T-Nut
10	3058	4	1/4-20 x 3/8 SHCS	3280	2	Double Slide-in Economy
15	3110	4	5/16-18 x 5/8 SHCS	3279	2	Double Slide-in Economy
25	13-6508	4	M6 x 8mm SHCS	25-1962	2	Double Slide-in Economy
40	13-8516	4	M8 x 16mm SHCS	40-1982	2	Double Slide-in Economy

## Double Short UniBearing™

### Part Description:

The double short UniBearing™ has an open design that enables customized layouts. It is an option that is commonly used in applications with two guiderails. The UniBearing™ is easy to quickly install or remove without taking it apart, allowing reduced retooling and downtime and increased productivity and flexibility. The pads are mounted using stainless steel flathead socket cap screws that secure it to the housing and eliminate the need for high-cycle pads. The bearing can move or be fixed; when fixed, it allows the guardrail and assembly to move. All UniBearings™ come with pre-drilled brake holes and tapped mounting holes that enable attachment of accessories to a flat surface.



Part No.	Series	Color	A	B	C	D	E	F	G	H	J	K
6764	10	Clear	3.125"	.244"	.060"	.312"	.156"	.306"	.397"	1.063"	1.563"	2.063"
6764-Black	10	Black	3.125"	.244"	.060"	.312"	.156"	.306"	.397"	1.063"	1.563"	2.063"
6864	15	Clear	4.750"	.308"	.120"	.505"	.245"	.485"	.616"	1.625"	2.375"	3.125"
6864-Black	15	Black	4.750"	.308"	.120"	.505"	.245"	.485"	.616"	1.625"	2.375"	3.125"
25-6764	25	Clear	79.38mm	6.20mm	1.52mm	7.92mm	3.96mm	7.77mm	10.08mm	27.00mm	39.70mm	52.40mm
25-6764-Black	25	Black	79.38mm	6.20mm	1.52mm	7.92mm	3.96mm	7.77mm	10.08mm	27.00mm	39.70mm	52.40mm
40-6864	40	Clear	120.65mm	7.82mm	3.05mm	12.83mm	6.22mm	12.32mm	15.65mm	41.28mm	60.33mm	79.38mm
40-6864-Black	40	Black	120.65mm	7.82mm	3.05mm	12.83mm	6.22mm	12.32mm	15.65mm	41.28mm	60.33mm	79.38mm
			L	M	N	P	Q	R	S	T	U	Weight
6764	10	Clear	2.728"	.437"	.500"	1.000"	1.875"	1/4-20 SHCS	1/4-20	8-32	.257"	.173 lb
6764-Black	10	Black	2.728"	.437"	.500"	1.000"	1.875"	1/4-20 SHCS	1/4-20	8-32	.257"	.173 lb
6864	15	Clear	4.134"	.656"	.750"	1.500"	2.812"	5/16 SHCS	5/16-18	10-24	.328"	.588 lb
6864-Black	15	Black	4.134"	.656"	.750"	1.500"	2.812"	5/16 SHCS	5/16-18	10-24	.328"	.588 lb
25-6764	25	Clear	69.29mm	11.00mm	12.50mm	25.00mm	47.00mm	M6 SHCS	M6 x 1.0	8-32	6.30mm	.0819 kg
25-6764-Black	25	Black	69.29mm	11.00mm	12.50mm	25.00mm	47.00mm	M6 SHCS	M6 x 1.0	8-32	6.30mm	.0819 kg
40-6864	40	Clear	105.00mm	17.50mm	20.00mm	40.00mm	75.00mm	M8 SHCS	M8 x 1.25	10-24	8.33mm	.2840 kg
40-6864-Black	40	Black	105.00mm	17.50mm	20.00mm	40.00mm	75.00mm	M8 SHCS	M8 x 1.25	10-24	8.33mm	.2840 kg

### Material Specifications

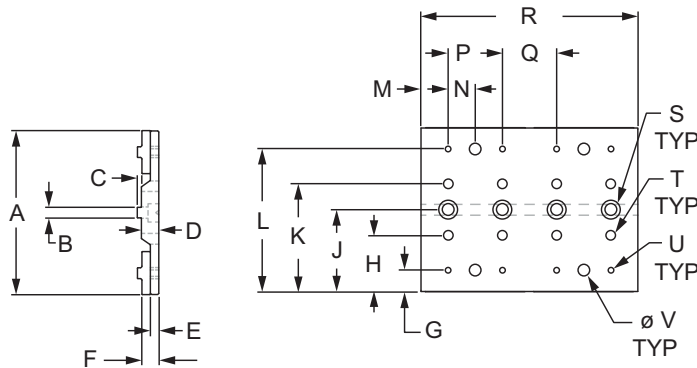
Material	Grade	Process	Finish
Aluminum	6105-T5	Extrude	Anodized

### Included Hardware (Mount to T-Slot)

Series	Part No.	Qty.	Bolt	Part No.	Qty.	T-Nut
10	3058	2	1/4-20 x 3/8 SHCS	3280	1	Double Slide-in Economy
15	3110	2	5/16-18 x 5/8 SHCS	3279	1	Double Slide-in Economy
25	13-6508	2	M6 x 8mm SHCS	25-1962	1	Double Slide-in Economy
40	13-8516	2	M8 x 16mm SHCS	40-1982	1	Double Slide-in Economy

## Part Description:

The double long UniBearing™ has an open design that enables customized layouts. It is an option that is commonly used in applications with two guiderails. The UniBearing™ is easy to quickly install or remove without taking it apart, allowing reduced retooling and downtime and increased productivity and flexibility. The pads are mounted using stainless steel flathead socket cap screws that secure it to the housing and eliminate the need for high-cycle pads. The bearing can move or be fixed; when fixed, it allows the guardrail and assembly to move. All UniBearings™ come with pre-drilled brake holes and tapped mounting holes that enable attachment of accessories to a flat surface.



Part No.	Series	Color	A	B	C	D	E	F	G	H	J	K	
6766	10	Clear	3.125"	.244"	.060"	.312"	.156"	.306"	.397"	1.063"	1.563"	2.063"	
6766-Black	10	Black	3.125"	.244"	.060"	.312"	.156"	.306"	.397"	1.063"	1.563"	2.063"	
6866	15	Clear	4.750"	.308"	.120"	.505"	.245"	.485"	.616"	1.625"	2.375"	3.125"	
6866-Black	15	Black	4.750"	.308"	.120"	.505"	.245"	.485"	.616"	1.625"	2.375"	3.125"	
25-6766	25	Clear	79.38mm	6.20mm	1.52mm	7.92mm	3.96mm	7.77mm	10.08mm	27.00mm	39.70mm	52.40mm	
25-6766-Black	25	Black	79.38mm	6.20mm	1.52mm	7.92mm	3.96mm	7.77mm	10.08mm	27.00mm	39.70mm	52.40mm	
40-6866	40	Clear	120.65mm	7.82mm	3.05mm	12.83mm	6.22mm	12.32mm	15.65mm	41.28mm	60.33mm	79.38mm	
40-6866-Black	40	Black	120.65mm	7.82mm	3.05mm	12.83mm	6.22mm	12.32mm	15.65mm	41.28mm	60.33mm	79.38mm	
			L	M	N	P	Q	R	S	T	U	V	Weight
6766	10	2.728"	.500"	.500"	1.000"	1.000"	4.000"	1/4-20 SHCS	1/4-20	8-32	.257"	.359 lb	
6766-Black	10	2.728"	.500"	.500"	1.000"	1.000"	4.000"	1/4-20 SHCS	1/4-20	8-32	.257"	.359 lb	
6866	15	4.134"	.750"	.750"	1.500"	1.500"	6.000"	5/16 SHCS	5/16-18	10-24	.328"	1.272 lb	
6866-Black	15	4.134"	.750"	.750"	1.500"	1.500"	6.000"	5/16 SHCS	5/16-18	10-24	.328"	1.272 lb	
25-6766	25	69.29mm	12.50mm	12.50mm	25.00mm	25.00mm	100.00mm	M6 SHCS	M6 x 1.0	8-32	6.30mm	.1641 kg	
25-6766-Black	25	69.29mm	12.50mm	12.50mm	25.00mm	25.00mm	100.00mm	M6 SHCS	M6 x 1.0	8-32	6.30mm	.1641 kg	
40-6866	40	105.00mm	20.00mm	20.00mm	40.00mm	40.00mm	160.00mm	M8 SHCS	M8 x 1.25	10-24	8.33mm	.5973 kg	
40-6866-Black	40	105.00mm	20.00mm	20.00mm	40.00mm	40.00mm	160.00mm	M8 SHCS	M8 x 1.25	10-24	8.33mm	.5973 kg	

## Material Specifications

Material	Grade	Process	Finish
Aluminum	6105-T5	Extrude	Anodize

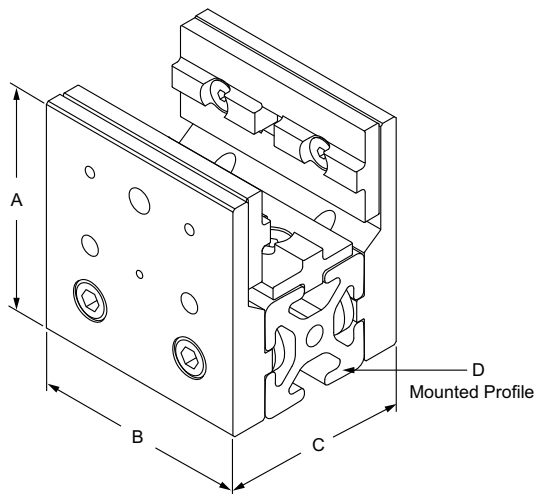
## Included Hardware (Mount to T-Slot)

Series	Part No.	Qty.	Bolt	Part No.	Qty.	T-Nut
10	3058	4	1/4-20 x 3/8 SHCS	3280	2	Double Slide-in Economy
15	3110	4	5/16-18 x 5/8 SHCS	3279	2	Double Slide-in Economy
25	13-6508	4	M6 x 8mm SHCS	25-1962	2	Double Slide-in Economy
40	13-8516	4	M8 x 16mm SHCS	40-1982	2	Double Slide-in Economy

## Short - Single Mount UniBearing™ Assembly

### Part Description:

The short – single mount UniBearing™ assembly is commonly used for linear motion applications and is comprised of a short single mount UniBearing™ that is attached to a T-slot profile. There are pre-tapped holes in the profile ends as well as in the housing unit for connecting accessories. Shim kits are included.



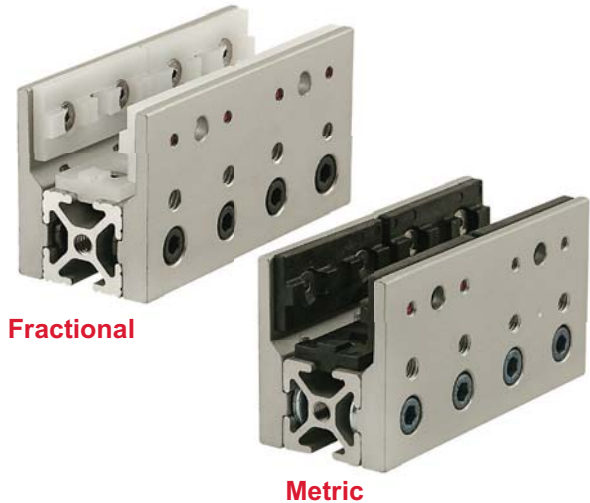
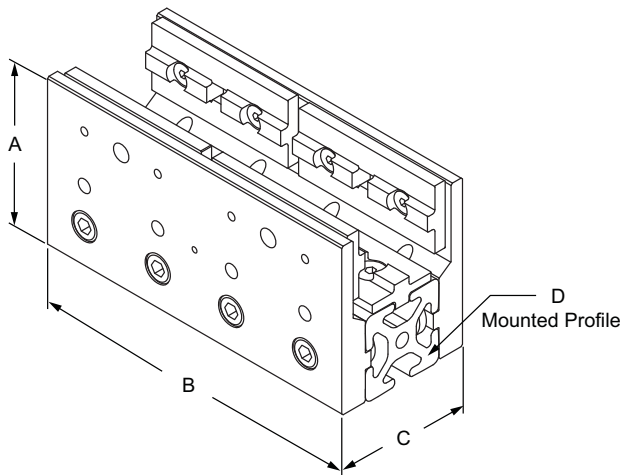
Part No.	Series	Material	Grade	Finish	Process	Color	A	B	C	D	Weight
6730	10	Aluminum	6105-T5	Anodize	Extrude	Clear	2.063"	1.875"	1.624"	1010	.378 lb
6730-Black	10					Black	2.063"	1.875"	1.624"	1010	.378 lb
6731	10					Clear	2.063"	1.875"	2.624"	1020	.467 lb
6731-Black	10					Black	2.063"	1.875"	2.624"	1020	.467 lb
6870	15					Clear	3.125"	2.812"	2.510"	1515	1.330 lb
6870-Black	15					Black	3.125"	2.812"	2.510"	1515	1.330 lb
6871	15					Clear	3.125"	2.812"	4.010"	1530	1.682 lb
6871-Black	15					Black	3.125"	2.812"	4.010"	1530	1.682 lb
6872	15					Clear	3.125"	2.812"	5.510"	1545	2.036 lb
6872-Black	15					Black	3.125"	2.812"	5.510"	1545	2.036 lb
25-6730	25					Clear	52.40mm	47.00mm	40.85mm	25-2525	.1600 kg
25-6730-Black	25					Black	52.40mm	47.00mm	40.85mm	25-2525	.1600 kg
25-6731	25					Clear	52.40mm	47.00mm	65.85mm	25-2550	.2070 kg
25-6731-Black	25					Black	52.40mm	47.00mm	65.85mm	25-2550	.2070 kg
40-6870	40					Clear	79.38mm	75.00mm	65.66mm	40-4040	.6550 kg
40-6870-Black	40					Black	79.38mm	75.00mm	65.66mm	40-4040	.6550 kg
40-6871	40					Clear	79.38mm	75.00mm	105.66mm	40-4080	.7919 kg
40-6871-Black	40					Black	79.38mm	75.00mm	105.66mm	40-4080	.7919 kg

### Included Hardware (Mount to T-Slot)

Series	Part No.	Qty.	Bolt	Part No.	Qty.	T-Nut
10	3058	4	1/4-20 x 3/8 SHCS	3280	2	Double Slide-in Economy
15	3110	4	5/16-18 x 5/8 SHCS	3279	2	Double Slide-in Economy
25	13-6508	4	M6 x 8mm SHCS	25-1962	2	Double Slide-in Economy
40	13-8516	4	M8 x 16mm SHCS	40-1982	2	Double Slide-in Economy

**Part Description:**

The long – single mount UniBearing™ assembly is commonly used for linear motion applications and is comprised of a long single mount UniBearing™ that is attached to a T-slot profile. There are pre-tapped holes in the profile ends as well as in the housing unit for connecting accessories. Shim kits are included.



Part No.	Series	Material	Grade	Finish	Process	Color	A	B	C	D	Weight
6732	10	Aluminum	6105-T5	Anodize	Extrude	Clear	2.063"	4.000"	1.624"	1010	.771 lb
6732-Black	10					Black	2.063"	4.000"	1.624"	1010	.771 lb
6733	10					Clear	2.063"	4.000"	2.624"	1020	.969 lb
6733-Black	10					Black	2.063"	4.000"	2.624"	1020	.969 lb
6873	15					Clear	3.125"	6.000"	2.510"	1515	2.751 lb
6873-Black	15					Black	3.125"	6.000"	2.510"	1515	2.751 lb
6874	15					Clear	3.125"	6.000"	4.010"	1530	3.518 lb
6874-Black	15					Black	3.125"	6.000"	4.010"	1530	3.518 lb
6875	15					Clear	3.125"	6.000"	5.510"	1545	5.030 lb
6875-Black	15					Black	3.125"	6.000"	5.510"	1545	5.030 lb
25-6732	25					Clear	52.40mm	100.00mm	40.85mm	25-2525	.3394 kg
25-6732-Black	25					Black	52.40mm	100.00mm	40.85mm	25-2525	.3394 kg
25-6733	25					Clear	52.40mm	100.00mm	65.85mm	25-2550	.4277 kg
25-6733-Black	25					Black	52.40mm	100.00mm	65.85mm	25-2550	.4277 kg
40-6873	40					Clear	79.38mm	160.00mm	65.66mm	40-4040	1.3290 kg
40-6873-Black	40					Black	79.38mm	160.00mm	65.66mm	40-4040	1.3290 kg
40-6874	40					Clear	79.38mm	160.00mm	105.66mm	40-4080	1.6720 kg
40-6874-Black	40					Black	79.38mm	160.00mm	105.66mm	40-4080	1.6720 kg

**Included Hardware (Mount to T-Slot)**

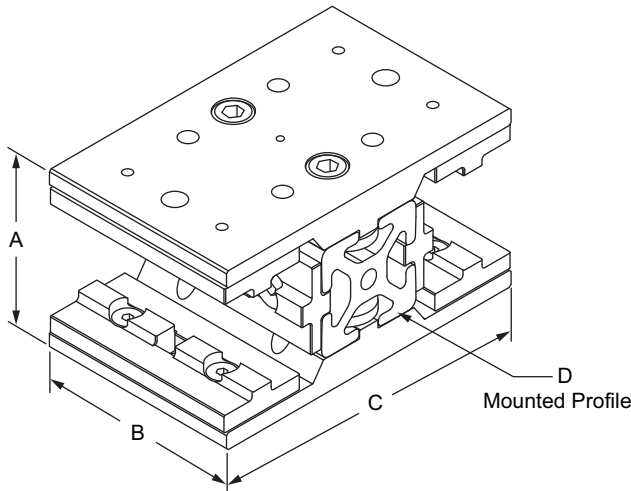
Series	Part No.	Qty.	Bolt	Part No.	Qty.	T-Nut
10	3058	8	1/4-20 x 3/8 SHCS	3280	4	Double Slide-in Economy
15	3110	8	5/16-18 x 5/8 SHCS	3279	4	Double Slide-in Economy
25	13-6508	8	M6 x 8mm SHCS	25-1962	4	Double Slide-in Economy
40	13-8516	8	M8 x 16mm SHCS	40-1982	4	Double Slide-in Economy



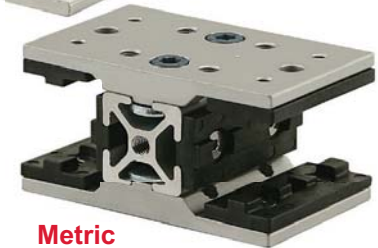
## Short - Double Mount UniBearing™ Assembly

### Part Description:

The short – double mount UniBearing™ assembly is commonly used for linear motion applications and is comprised of a short double mount UniBearing™ that is attached to a T-slot profile. There are pre-tapped holes in the profile ends as well as in the housing unit for connecting accessories. Shim kits are included.



**Fractional**



**Metric**

Part No.	Series	Material	Grade	Finish	Process	Color	A	B	C	D	Weight
6734	10	Aluminum	6105-T5	Anodize	Extrude	Clear	1.624"	1.875"	3.125"	1010	.485 lb
6734-Black	10					Black	1.624"	1.875"	3.125"	1010	.485 lb
6735	10					Clear	2.624"	1.875"	3.125"	1020	.609 lb
6735-Black	10					Black	2.624"	1.875"	3.125"	1020	.609 lb
6876	15					Clear	2.510"	2.812"	4.750"	1515	1.791 lb
6876-Black	15					Black	2.510"	2.812"	4.750"	1515	1.791 lb
6877	15					Clear	4.010"	2.812"	4.750"	1530	1.860 lb
6877-Black	15					Black	4.010"	2.812"	4.750"	1530	1.860 lb
6878	15					Clear	5.510"	2.812"	4.750"	1545	2.196 lb
6878-Black	15					Black	5.510"	2.812"	4.750"	1545	2.196 lb
25-6734	25					Clear	40.85mm	47.00mm	79.38mm	25-2525	.2128 kg
25-6734-Black	25					Black	40.85mm	47.00mm	79.38mm	25-2525	.2128 kg
25-6735	25					Clear	65.85mm	47.00mm	79.38mm	25-2550	.2692 kg
25-6735-Black	25					Black	65.85mm	47.00mm	79.38mm	25-2550	.2692 kg
40-6876	40					Clear	65.66mm	75.00mm	120.65mm	40-4040	.9020 kg
40-6876-Black	40					Black	65.66mm	75.00mm	120.65mm	40-4040	.9020 kg
40-6877	40					Clear	105.66mm	75.00mm	120.65mm	40-4080	1.0970 kg
40-6877-Black	40					Black	105.66mm	75.00mm	120.65mm	40-4080	1.0970 kg

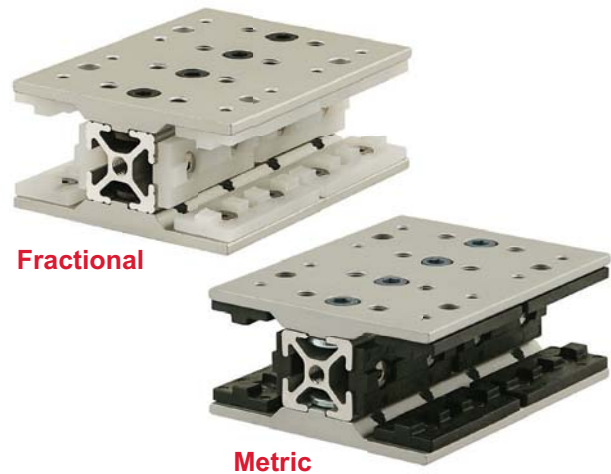
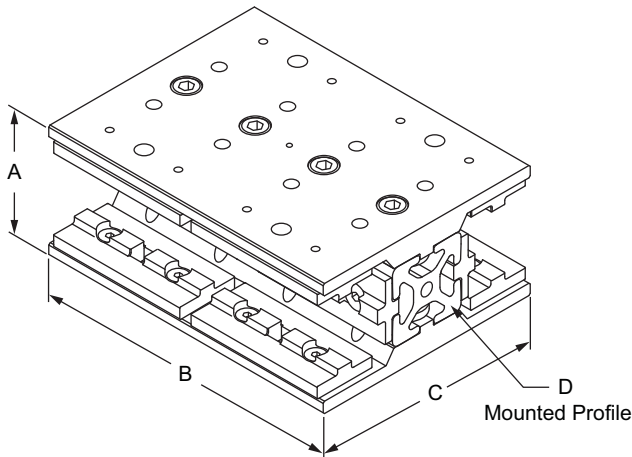
### Included Hardware (Mount to T-Slot)

Series	Part No.	Qty.	Bolt	Part No.	Qty.	T-Nut
10	3058	4	1/4-20 x 3/8 SHCS	3280	2	Double Slide-in Economy
15	3110	4	5/16-18 x 5/8 SHCS	3279	2	Double Slide-in Economy
25	13-6508	4	M6 x 8mm SHCS	25-1962	2	Double Slide-in Economy
40	13-8516	4	M8 x 16mm SHCS	40-1982	2	Double Slide-in Economy

80/20<sup>®</sup> Inc. Long - Double Mount UniBearing™ Assembly

## Part Description:

The long – double mount UniBearing™ assembly is commonly used for linear motion applications and is comprised of a long double mount UniBearing™ that is attached to a T-slot profile. There are pre-tapped holes in the profile ends as well as in the housing unit for connecting accessories. Shim kits are included.

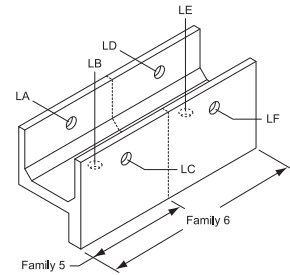
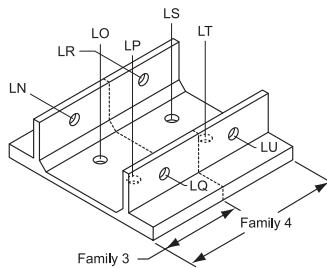
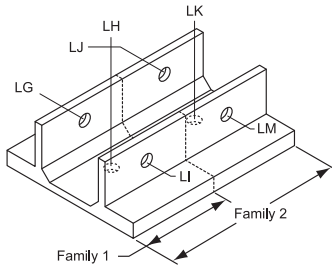


Part No.	Series	Material	Grade	Finish	Process	Color	A	B	C	D	Weight
6736	10	Aluminum	6105-T5	Anodize	Extrude	Clear	1.624"	4.000"	3.125"	1010	1.033 lb
6736-Black	10					Black	1.624"	4.000"	3.125"	1010	1.033 lb
6737	10					Clear	2.624"	4.000"	3.125"	1020	1.301 lb
6737-Black	10					Black	2.624"	4.000"	3.125"	1020	1.301 lb
6879	15					Clear	2.510"	6.000"	4.750"	1515	3.608 lb
6879-Black	15					Black	2.510"	6.000"	4.750"	1515	3.608 lb
6883	15					Clear	4.010"	6.000"	4.750"	1530	4.568 lb
6883-Black	15					Black	4.010"	6.000"	4.750"	1530	4.568 lb
6884	15					Clear	5.510"	6.000"	4.750"	1545	5.577 lb
6884-Black	15					Black	5.510"	6.000"	4.750"	1545	5.577 lb
25-6736	25					Clear	40.85mm	100.00mm	79.38mm	25-2525	.4397 kg
25-6736-Black	25					Black	40.85mm	100.00mm	79.38mm	25-2525	.4397 kg
25-6737	25					Clear	65.85mm	100.00mm	79.38mm	25-2550	.5540 kg
25-6737-Black	25					Black	65.85mm	100.00mm	79.38mm	25-2550	.5540 kg
40-6879	40					Clear	65.66mm	160.00mm	120.65mm	40-4040	1.6780 kg
40-6879-Black	40					Black	65.66mm	160.00mm	120.65mm	40-4040	1.6780 kg
40-6883	40					Clear	105.66mm	160.00mm	120.65mm	40-4080	2.0825 kg
40-6883-Black	40					Black	105.66mm	160.00mm	120.65mm	40-4080	2.0825 kg

## Included Hardware (Mount to T-Slot)

Series	Part No.	Qty.	Bolt	Part No.	Qty.	T-Nut
10	3058	8	1/4-20 x 3/8 SHCS	3280	4	Double Slide-in Economy
15	3110	8	5/16-18 x 5/8 SHCS	3279	4	Double Slide-in Economy
25	13-6508	8	M6 x 8mm SHCS	25-1962	4	Double Slide-in Economy
40	13-8516	8	M8 x 16mm SHCS	40-1982	4	Double Slide-in Economy

## Linear Bearing Brake Hole Specifications



Part No.	Series	Description
7401	10	.265" diameter drill thru one wall
7400	15	.344" diameter drill thru one wall

Part No.	Series	Description
25-7401	25	6.73mm diameter drill thru one wall
40-7400	40	8.73mm diameter drill thru one wall

Series	Standard Bearing Part No.	Brake Ready Bearing Part No.	Series	Standard Bearing Part No.	Brake Ready Bearing Part No.	Bearing Size	Pre-Drilled or Specified Brake Hole Locations
10	6725	—	25	25-6725	—	Family 1	Specific*
15	6825	—	40	40-6825	—		LG / LH / LI
15	6835	—	40	40-6835	—		
10	—	6425	25	—	25-6425	Family 2	Specify*
15	—	6525	40	—	40-6525		LG / LH / LI / LJ / LK / LM
15	—	6535	40	—	40-6535		
10	6726	—	25	25-6726	—	Family 3	Specify*
15	6826	—	40	40-6826	—		LN / LO / LP / LQ
15	6836	—	40	40-6836	—		
10	—	6426	25	—	25-6426	Family 4	Specify*
15	—	6526	40	—	40-6526		LN / LO / LP / LQ / LR / LS / LT / LU
15	—	6536	40	—	40-6536		
10	6723	—	25	25-6723	—	Family 5	Specify*
15	6823	—	40	40-6823	—		LA / LB / LC
15	6833	—	40	40-6833	—		
10	—	6423	25	—	25-6423	Family 6	Specify*
15	—	6523	40	—	40-6523		LA / LB / LC / LD / LE / LF
15	—	6533	40	—	40-6533		
10	6724	—	25	25-6724	—	Family 5	Specify*
15	6824	—	40	40-6824	—		LA / LB / LC
15	6834	—	40	40-6834	—		
10	—	6424	25	—	25-6424	Family 6	Specify*
15	—	6524	40	—	40-6524		LA / LB / LC
15	—	6534	40	—	40-6534		
10	6715	—	25	25-6715	—	Family 5	Specify*
15	6815	—	40	40-6815	—		LA / LB / LC
15	6830	—	40	40-6830	—		
10	—	6415	25	—	25-6415	Family 6	Specify*
15	—	6515	40	—	40-6515		LA / LB / LC / LD / LE / LF
15	—	6530	40	—	40-6530		
10	6716	—	25	25-6716	—	Family 6	Specify*
15	6816	—	40	40-6816	—		LA / LB / LC / LD / LE / LF
15	6831	—	40	40-6831	—		
10	—	6416	25	—	25-6416	Family 6	Specify*
15	—	6516	40	—	40-6516		LA / LB / LC / LD / LE / LF
15	—	6531	40	—	40-6531		

\* Refer to pages 867-868 for machining services

## Engineering Specifications on UHMW-PE Bearing Pads

Property	Test Method	Unit	Typical Value
Specific Gravity	ASTM D-792	g/cm <sup>3</sup>	0.94
Yield Strength @ 73°F	ASTM D-638	p.s.i.	3400
Ultimate Tensile Strength @ 73°F	ASTM D-638	p.s.i.	6800
Break Elongation @ 73°F	ASTM D-638	%	450
Yield Strength @ 250°F	Stress Strain Diagram	p.s.i.	700
Ultimate Tensile Strength @ 250°F	Stress Strain Diagram	p.s.i.	3300
Break Elongation @ 250°F	Stress Strain Diagram	%	900
Hardness - Rockwell "R" Scale	ASTM D-785	-	64
- Shore "D" Scale	ASTM D-2240	-	67
Flexural Modulus of Elasticity	Bend Creep/1 min. value	p.s.i.	110,000
Shear Strength	ASTM D-732	p.s.i.	3500
Izod Impact @ + 23°C	ASTM D-256A	ft-lbs/in. notch	No break
@ - 140° C	ASTM D-256A	ft-lbs/in. notch	No break
Environmental Stress Cracking @ F50	ASTM D-1693 Mod	hrs.	6000
Water Absorption	ASTM D-570	-	NIL

## Abrasive Resistance - Sand Slurry Test

- Each material listed below was rotated 24 hours @ 1750 r.p.m.
- Carbon Steel = abrasive rating of 100.
- The weight loss for each material is relative to 100.
- The lower the figure, the better the abrasive resistance.
- 50-50 sand/water slurry.

UHMW-PE .....	15	Nylon .....	31	High MW polyethylene .....	44
TFE .....	72	Stainless steel .....	84	Polypropylene .....	87
Polycarbonate .....	96	Polyacetal .....	110	TFE/glass fiber .....	113
Normal MW polyethylene .....	125	Phosphor bronze .....	193	Yellow brass .....	409
Phenolic laminate .....	571	Hickory wood .....	967	Hi carbon steel .....	100

## Coefficient of Friction

UHMW-PE polymer has a lower coefficient of friction than glass. Its self-lubricating characteristics make it an ideal material for bearings, bushings, valves, wear strips, or any application where sliding contact is encountered.

Materials	Static	Kinetic	Test Method
Aluminum* vs. UHMW-PE	0.12	0.016	ASTM D-1894
Mild Steel vs. Mild Steel	0.30 - 0.40	0.25 - 0.35	
Mild Steel vs. UHMW-PE	0.15 - 0.20	0.12 - 0.20	
UHMW-PE vs. UHMW-PE	0.20 - 0.30	0.20 - 0.30	

\*Anodized 204 R1 Spec on extruded aluminum

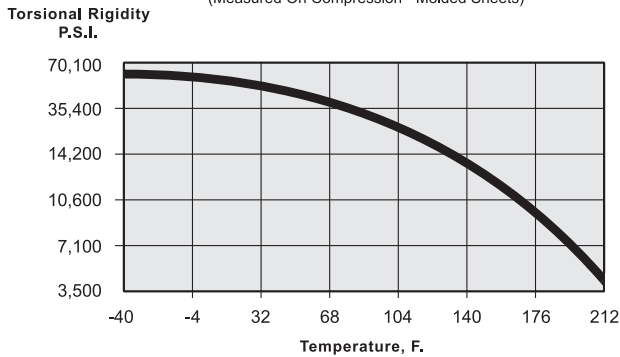
## Comparison of Dynamic Coefficient of Friction on Polished Steel

Property	UHMW-PE
Dry .....	0.10 - 0.22
Water .....	0.05 - 0.10
Oil .....	0.05 - 0.08

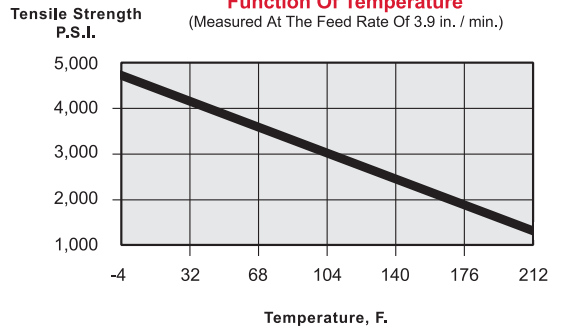
**FDA and USDA  
Approved**

## Load Bearing Properties of UHMW-PE

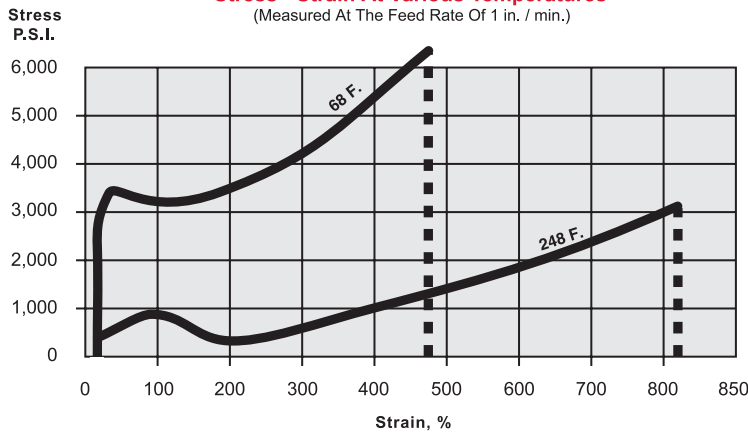
**Torsional Rigidity As A Function Of Temperature**  
(Measured On Compression - Molded Sheets)



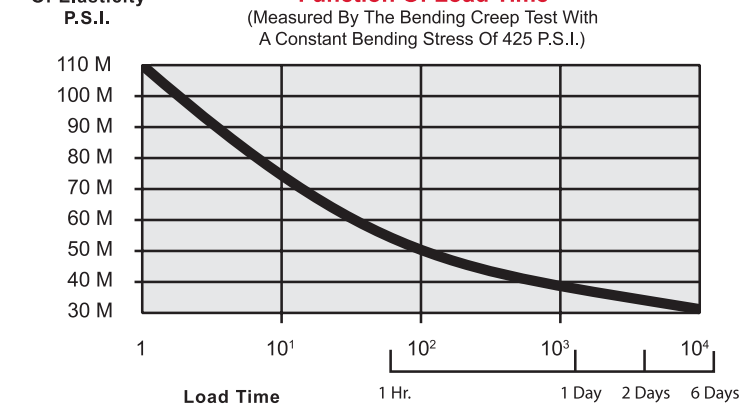
**Tensile Strength At The Yield Point As A Function Of Temperature**  
(Measured At The Feed Rate Of 3.9 in. / min.)



**Stress - Strain At Various Temperatures**  
(Measured At The Feed Rate Of 1 in. / min.)



**Flexural Modulus Of Elasticity As A Function Of Load Time**  
(Measured By The Bending Creep Test With A Constant Bending Stress Of 425 P.S.I.)



## Chemical Resistance of UHMW-PE

TEST SPECIMENS	Dumb-bell type
DURATION OF TEST	30 Days
+ = RESISTANT	Mechanical properties not appreciably affected
/ = LIMITED RESISTANT	Decreases in yield stress and ultimate tensile strength less than 20%
- = NOT RESISTANT	Decreases in yield stress and ultimate tensile strength greater than 20%

Reagent	Temperatures		
	20°C	50°C	80°C
<b>I. Inorganic acids</b>			
Chromic acid (80%)	+	+	/
Hydrochloric acid (conc.)	+	+	+
Hydrocyanic acid	+	+	
Hydrofluoric acid	-	-	-
Nitric acid (conc.)	/	-	
Nitric acid (50%)	+	+	/
Nitric acid (20%)	+	+	+
Phosphoric acid (85%)	+	-	-
Sulphuric acid (conc.)	+	-	-
Sulphuric acid (50%)	+	+	+
<b>II. Alkalis</b>			
Aqueous ammonia	+	+	
Potassium hydroxide solution	+	+	+
Sodium hydroxide solution	+	+	+
<b>III. Aqueous solutions of inorganic salts</b>			
Aluminum chloride	+	+	+
Ammonium nitrate	+	+	+
Bleaching powder	+	+	+
Calcium chloride	+	+	+
Sodium carbonate	+	+	+
Sodium chloride	+	+	+
Sodium hypochlorite	+	+	+
Zinc chloride	+	+	+
<b>IV. Organic acids</b>			
Acetic acid (99%)	+	+	/
Acetic acid (10%)	+	+	+
Butyric acid	+	+	
Citric acid	+	+	+
Formic acid	+	+	
Oleic acid	+	+	/

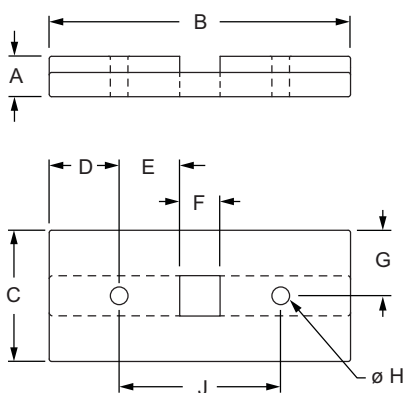
Reagent	Temperatures		
	20°C	50°C	80°C
<b>V. Hydrocarbons and halogenated hydrocarbons</b>			
Benzene	/	/	
Carbon tetrachloride	/		
Cyclohexane	+	+	
Dichloroethylene	-	-	
Diesel oil	+	+	/
n-Heptane	+	+	
Petroleum ether	+		
Trichloroethylene	/	-	
Toluene	/	-	
White spirit	+	/	
Xylene	/	/	-
<b>VI. Alcohols, Ketones, Ester, and Amines</b>			
Acetone	+	+	
Aniline	+	+	/
Benzyl alcohol	+	+	+
Butyl alcohol	+	+	+
Cyclohexanol	+	+	+
Ethanol	+	+	
Ethyl acetate	+	+	
Ethylene glycol	+	+	+
Glycerine	+	+	+
Lauryl alcohol	+	+	+
Propyl alcohol	+	+	+
<b>VII. Miscellaneous</b>			
Beer	+	+	+
Detergents in aqueous solution	+	+	+
Distilled water	+	+	+
Hydrogen peroxide 30% (perhydrol)	+	+	
Linseed oil	+	+	+
Milk	+	+	+
Olive oil	+	+	+
Sea water	+	+	+
Wine	+	+	+

Because we cannot anticipate or control the many different conditions under which our products may be used, the product information contained in this catalog should be viewed as general guidelines only and not as a recommendation to use our products in any particular situation. Although we believe that all information contained herein is reliable, certain information in this catalog may have been obtained from test results published by other parties, and consequently, we cannot guarantee the accuracy of all information contained in this catalog. In addition, particular conditions of use and reasonable lot-to-lot variations can affect performance. Users of our products should perform their own tests to determine the suitability of any product for their particular purposes.

## Single-Keyed Standard Linear Bearing Pad

### Part Description:

The single-keyed standard linear bearing pad is commonly used with bearings to create linear motion and is made of easily machined, self-lubricating UHMW. It has a low coefficient of friction and is designed with rounded corners on the molded pad, allowing simple installation and replacement. This pad is available in black or white and has a single key; it comes with holes for mounting hardware and brake kits.



Part No.	Series	A	B	C	D	E	F	G	H	J	K	L	M	Weight
6490	10	.250"	1.865"	.812"	.433"	.375"	.250"	.406"	.109"	1.000"	.150"	.283"	.246"	.008 lb
6491	10	.250"	1.865"	.812"	.433"	.375"	.250"	.406"	.109"	1.000"	.150"	.283"	.246"	.008 lb
6590	15	.375"	2.770"	1.250"	.635"	.594"	.312"	.625"	.125"	1.500"	.243"	.469"	.312"	.029 lb
6591	15	.375"	2.770"	1.250"	.635"	.594"	.312"	.625"	.125"	1.500"	.243"	.469"	.312"	.029 lb
25-6490	25	6.35mm	46.69mm	20.62mm	10.84mm	9.33mm	6.35mm	10.31mm	2.77mm	25.00mm	3.81mm	7.19mm	6.25mm	.0036 kg
25-6491	25	6.35mm	46.69mm	20.62mm	10.84mm	9.33mm	6.35mm	10.31mm	2.77mm	25.00mm	3.81mm	7.19mm	6.25mm	.0035 kg
40-6590	40	9.53mm	74.12mm	31.75mm	17.06mm	16.04mm	7.92mm	15.88mm	3.18mm	40.00mm	6.17mm	11.91mm	7.92mm	.0140 kg
40-6591	40	9.53mm	74.12mm	31.75mm	17.06mm	16.04mm	7.92mm	15.88mm	3.18mm	40.00mm	6.17mm	11.91mm	7.92mm	.0145 kg

### Material Specifications

Part No.	Material	Process	Finish	Color
6490	UHMW PE	Injection Mold	Smooth	White
6491				Black
6590				White
6591				Black
25-6490		Extruded		White
25-6491				Black
40-6590				Natural
40-6591				Black

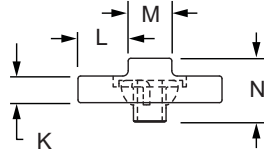
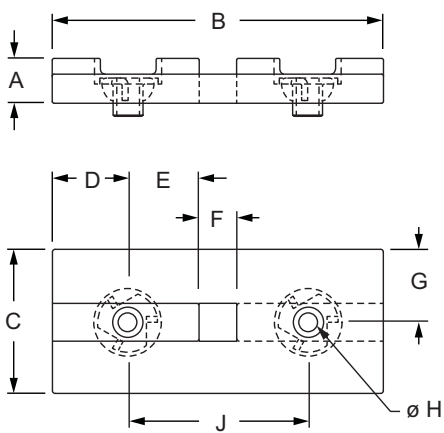
### Suggested Hardware (Mount Pad to Bearing Housing)

Part No.	Series	Qty.	Bolt
3625	10	2	#8 x 3/8" Bearing Pad Screw
3628	15	2	#10 x 5/8" Bearing Pad Screw
25-3625	25	2	#8 x 3/8" Bearing Pad Screw
40-3628	40	2	#10 x 5/8" Bearing Pad Screw

80/20<sup>®</sup> Inc. Single-Keyed High-Cycle Linear Bearing Pad

## Part Description:

The single-keyed high-cycle linear bearing pad is a higher strength pad ideal for quick acceleration and deceleration linear motion applications. It is made of easily machined, self-lubricating UHMW and has a low coefficient of friction. The design includes rounded corners on the molded pad, allowing simple installation and replacement. This pad is available in black or white and has a single key and mounts to the housing using steel flathead socket cap screws that have Loctite<sup>®</sup>. It comes with holes for mounting hardware or brake kits and includes nutserts.



Part No.	Series	A	B	C	D	E	F	G	H	J	K	L	M	N	Weight
6595	15	.375"	2.770"	1.250"	.635"	.594"	.312"	.625"	10-32	1.500"	.243"	.469"	.312"	.484"	.033 lb
6596	15	.375"	2.770"	1.250"	.635"	.594"	.312"	.625"	10-32	1.500"	.243"	.469"	.312"	.484"	.032 lb
40-6595	40	9.53mm	74.12mm	31.75mm	17.06mm	16.04mm	7.92mm	15.88mm	10-32	40.00mm	6.17mm	11.91mm	7.92mm	12.29mm	.0159 kg
40-6596	40	9.53mm	74.12mm	31.75mm	17.06mm	16.04mm	7.92mm	15.88mm	10-32	40.00mm	6.17mm	11.91mm	7.92mm	12.29mm	.0158 kg

## Material Specifications

Part No.	Material	Process	Finish	Color
6595	UHMW PE	Injection Mold	Smooth	White
6596				Black
40-6595		Extruded		Natural
40-6596				Black

## Suggested Hardware (Mount Pad to Bearing Housing)

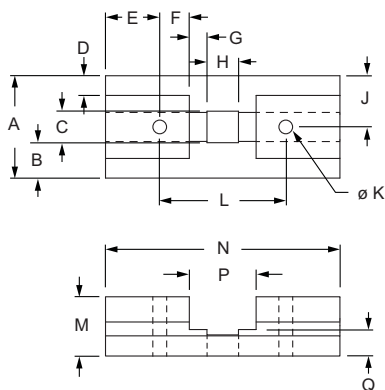
Part No.	Series	Qty.	Bolt
3022	15 40	2	10-32 x 1/2" FHSCS



## T-Slot Insert Linear Bearing Pad

### Part Description:

The T-slot insert linear bearing pad is commonly used with bearings to create linear motion and is made of easily machined, self-lubricating white UHMW. It has a low coefficient of friction and is designed with rounded corners on the molded pad, allowing simple installation and replacement. This pad is designed to slide into, and stabilize within, the T-slot. It comes with holes for mounting hardware and brake kits.



6797

6798

Part No.	Series	Color	A	B	C	D	E	F	G	H	J	K		
6797	10	Natural	.812"	—	—	.156"	.430"	—	—	—	.406"	.109"		
6798	10		.812"	.281"	.250"	.156"	.430"	.235"	.140"	.250"	.406"	.109"		
6897	15		1.250"	—	—	.365"	.656"	—	—	—	.625"	.125"		
6898	15		1.250"	.469"	.312"	.365"	.656"	.369"	.219"	.312"	.625"	.125"		
25-6797	25		20.62mm	—	—	6.35mm	10.85mm	—	—	—	10.31mm	2.77mm		
25-6798	25		20.62mm	7.14mm	6.35mm	6.35mm	10.85mm	5.77mm	3.56mm	6.35mm	10.31mm	2.77mm		
40-6897	40		31.75mm	—	—	—	9.27mm	17.30mm	—	—	—	15.88mm	3.18mm	
40-6898	40		31.75mm	11.91mm	7.92mm	9.27mm	17.30mm	10.49mm	5.55mm	7.92mm	15.88mm	3.18mm		
				L	M	N	P	Q	R	S	T	U	V	Weight
6797	10		1.000"	.470"	1.860"	—	.210"	.160"	.110"	.200"	50°	.230"	.013 lb	
6798	10	1.000"	.470"	1.860"	.530"	.210"	.160"	.110"	.200"	50°	.230"	.012 lb		
6897	15	1.500"	.700"	2.800"	—	.360"	.240"	.195"	.300"	45°	.300"	.046 lb		
6898	15	1.500"	.700"	2.800"	.750"	.360"	.240"	.195"	.300"	45°	.300"	.040 lb		
25-6797	25	25.00mm	11.94mm	46.69mm	—	5.33mm	4.06mm	2.79mm	5.08mm	50°	5.84mm	.0058 kg		
25-6798	25	25.00mm	11.94mm	46.69mm	13.46mm	5.33mm	4.06mm	2.79mm	5.08mm	50°	5.84mm	.0063 kg		
40-6897	40	40.00mm	17.78mm	75.00mm	—	9.14mm	6.10mm	4.95mm	7.62mm	45°	7.62mm	.0222 kg		
40-6898	40	40.00mm	17.78mm	75.00mm	19.05mm	9.14mm	6.10mm	4.95mm	7.62mm	45°	7.62mm	.0195 kg		

### Material Specifications

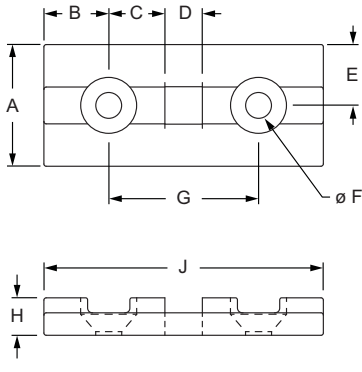
Material	Process	Finish
UHMW PE	Extruded	Smooth

### Suggested Hardware (Mount Pad to Bearing Housing)

Part No.	Series	Qty.	Bolt
3625	10	2	#8 x 3/8" Bearing Pad Screw
3628	15	2	#10 x 5/8" Bearing Pad Screw
25-3625	25	2	#8 x 3/8" Bearing Pad Screw
40-3628	40	2	#10 x 5/8" Bearing Pad Screw

**Part Description:**

The single-keyed UniBearing™ pad is commonly used with a UniBearing™ to create custom bearings. It has a single key and mounts to the profile using stainless steel flathead socket cap screws that have Loctite®. It provides a flat bearing and quick change-out as well as being designed with rounded corners on the molded pad for easy installation. The pad includes holes for mounting the hardware or brake kits as well as all mounting hardware.



Part No.	Series	Color	A	B	C	D	E	F	G	H	J	K	L	M	Weight
6705	10	White	.812"	.433"	.375"	.246"	.406"	.172"	1.000"	.250"	1.865"	.150"	.283"	.246"	.012 lb
6706	10	Black	.812"	.433"	.375"	.246"	.406"	.172"	1.000"	.250"	1.865"	.150"	.283"	.246"	.012 lb
6814	15	White	1.250"	.635"	.594"	.312"	.625"	.193"	1.500"	.375"	2.770"	.243"	.469"	.312"	.035 lb
6817	15	Black	1.250"	.635"	.594"	.312"	.625"	.193"	1.500"	.375"	2.770"	.243"	.469"	.312"	.035 lb
25-6705	25	White	20.62mm	10.84mm	9.33mm	6.25mm	10.31mm	4.37mm	25.00mm	6.35mm	46.69mm	3.81mm	7.19mm	6.25mm	.0054 kg
25-6706	25	Black	20.62mm	10.84mm	9.33mm	6.25mm	10.31mm	4.37mm	25.00mm	6.35mm	46.69mm	3.81mm	7.19mm	6.25mm	.0054 kg
40-6814	40	Natural	31.75mm	17.06mm	16.04mm	7.92mm	15.88mm	4.90mm	40.00mm	9.53mm	74.12mm	6.17mm	11.91mm	7.92mm	.0172 kg
40-6817	40	Black	31.75mm	17.06mm	16.04mm	7.92mm	15.88mm	4.90mm	40.00mm	9.53mm	74.12mm	6.17mm	11.91mm	7.92mm	.0172 kg

**Material Specifications**

Part No.	Material	Process	Finish
6705	UHMW PE	Injection Mold	Smooth
6706			
6814			
6817			
25-6705			
25-6706			
40-6814	Extruded		
40-6817			

**Included Hardware (Mount Pad to Profile)**

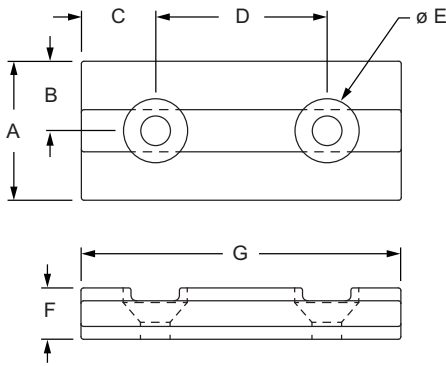
Part No.	Series	Qty.	Bolt
3649*	10 25	2	SS 8-32 x 1/4" FHSCS
3650*	15 40	2	SS 10-24 x 3/8" FHSCS

\*Stainless steel (SS) hardware included.

## Double-Keyed UniBearing™ Pad

### Part Description:

The double-keyed UniBearing™ pad is commonly used with a UniBearing™ to create custom bearings. It has a double key and mounts to a profile using stainless steel flathead socket cap screws. It provides a flat bearing and quick change-out as well as being designed with rounded corners on the molded pad for easy installation.



Part No.	Series	Color	A	B	C	D	E	F	G	H	J	K	L	Weight
6792	10	White	.812"	.406"	.433"	1.000"	.172"	.300"	1.865"	.150"	.283"	.246"	.075"	.028 lb
6793	10	Black	.812"	.406"	.433"	1.000"	.172"	.300"	1.865"	.150"	.283"	.246"	.075"	.029 lb
6892	15	White	1.250"	.625"	.635"	1.500"	.258"	.513"	2.770"	.243"	.469"	.312"	.135"	.112 lb
6893	15	Black	1.250"	.625"	.635"	1.500"	.258"	.513"	2.770"	.243"	.469"	.312"	.135"	.112 lb
25-6792	25	White	20.62mm	10.31mm	10.98mm	25.40mm	4.37mm	7.62mm	47.37mm	3.81mm	7.19mm	6.25mm	1.91mm	.0127 kg
25-6793	25	Black	20.62mm	10.31mm	10.98mm	25.40mm	4.37mm	7.62mm	47.37mm	3.81mm	7.19mm	6.25mm	1.91mm	.0127 kg
40-6892	40	Natural	31.75mm	15.88mm	17.06mm	40.00mm	6.55mm	13.03mm	74.12mm	6.17mm	11.91mm	7.92mm	3.43mm	.0326 kg
40-6893	40	Black	31.75mm	15.88mm	17.06mm	40.00mm	6.55mm	13.03mm	74.12mm	6.17mm	11.91mm	7.92mm	3.43mm	.0317 kg

### Material Specifications

Part No.	Material	Process	Finish
6792	UHMW PE	Injection Mold	Smooth
6793			
6892			
6893		Extruded	
25-6792			
25-6793			
40-6892	Extruded		
40-6893			

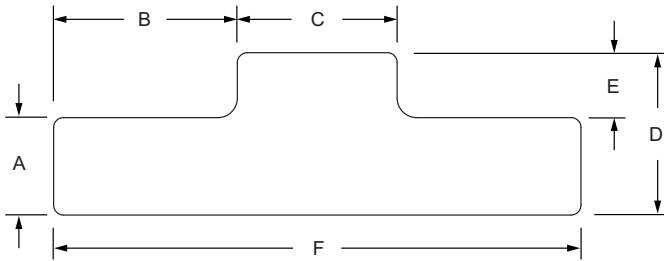
### Included Hardware (Mount Pad to Bearing Housing)

Series	Qty.	Bolt	Qty.	T-Nut
10 25	2	673003*	1	3281
15	2	206701*	1	3263
40	2	206701*	1	3686*

\*Stainless steel (SS) hardware included.

**Part Description:**

The single-keyed standard bearing pad profile comes in a stock length of 145" (3686mm) and can be cut to your desired length. It has a key on one side of the pad and is commonly used to create custom bearings for linear motion applications. It is made of easily machined, self-lubricating UHMW, and has a low coefficient of friction. This pad profile is available in black or natural.



Part No.	Series	Color	A	B	C	D	E	F	Stock Length	Weight
6700	10	Natural	.150"	.283"	.246"	.250"	.100"	.812"	145"	.004 lb / ft
6701	10	Black	.150"	.283"	.246"	.250"	.100"	.812"	145"	.004 lb / ft
6810	15	Natural	.243"	.469"	.312"	.375"	.132"	1.250"	145"	.011 lb / ft
6811	15	Black	.243"	.469"	.312"	.375"	.132"	1.250"	145"	.011 lb / ft
25-6700	25	Natural	3.81mm	7.19mm	6.25mm	6.35mm	2.54mm	20.62mm	3.683 M	.0021 kg / m
25-6701	25	Black	3.81mm	7.19mm	6.25mm	6.35mm	2.54mm	20.62mm	3.683 M	.0021 kg / m
40-6810	40	Natural	6.17mm	11.91mm	7.92mm	9.53mm	3.35mm	31.75mm	3.683 M	.0051 kg / m
40-6811	40	Black	6.17mm	11.91mm	7.92mm	9.53mm	3.35mm	31.75mm	3.683 M	.0051 kg / m

**Material Specifications**

Material	Process	Finish
UHMW PE	Extruded	Smooth

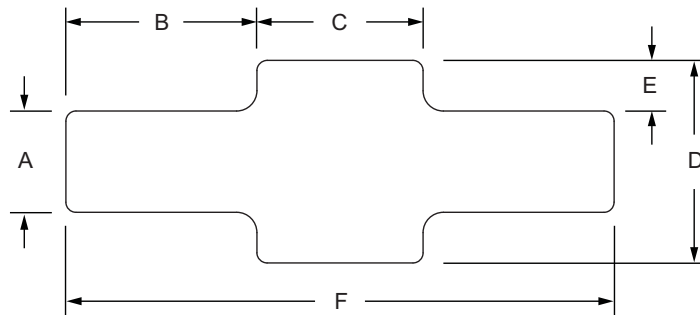
**Required Machining Services**

Machining Type	Machined	Reference Page
Cut to Length	Structural	847

## Double-Keyed Standard Bearing Pad Profile

### Part Description:

The double-keyed standard bearing pad profile comes in a stock length of 145" (3686mm) and can be cut to your desired length. It has a key on both sides of the pad and is commonly used to create custom bearings for linear motion applications. It is made of easily machined, self-lubricating UHMW, and has a low coefficient of friction. This pad profile is available in black or natural.



Part No.	Series	Color	A	B	C	D	E	F	Stock Length	Weight
6702	10	Natural	.150"	.283"	.246"	.300"	.075"	.812"	145"	.053 lb / ft
6703	10	Black	.150"	.283"	.246"	.300"	.075"	.812"	145"	.053 lb / ft
6812	15	Natural	.243"	.469"	.312"	.493"	.125"	1.250"	145"	.125 lb / ft
6813	15	Black	.243"	.469"	.312"	.493"	.125"	1.250"	145"	.125 lb / ft
25-6702	25	Natural	3.81mm	7.19mm	6.25mm	7.62mm	1.91mm	20.62mm	3.683 M	.0024 kg / m
25-6703	25	Black	3.81mm	7.19mm	6.25mm	7.62mm	1.91mm	20.62mm	3.683 M	.0024 kg / m
40-6812	40	Natural	6.17mm	11.91mm	7.92mm	12.52mm	3.18mm	31.75mm	3.683 M	.0056 kg / m
40-6813	40	Black	6.17mm	11.91mm	7.92mm	12.52mm	3.18mm	31.75mm	3.683 M	.0056 kg / m

### Material Specifications

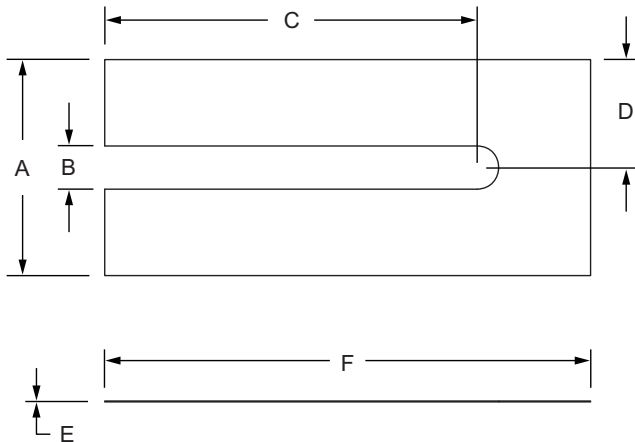
Material	Process	Finish
UHMW PE	Extruded	Smooth

### Required Machining Services

Machining Type	Machined	Reference Page
Cut to Length	Bearing Pad Profile	847

**Part Description:**

Linear bearing shim stock is used to create a precise fit. Each shim is .005" (.127mm) thick and has a slotted design that enables easy installation without having to dismantle the bearing; simply loosen the bearing pad and slide the shim(s) between the pad and housing while the bearing is still in place. Shims are sold in packs of 10 and are compatible with all 80/20 bearings. See page 656 for more information on shims.

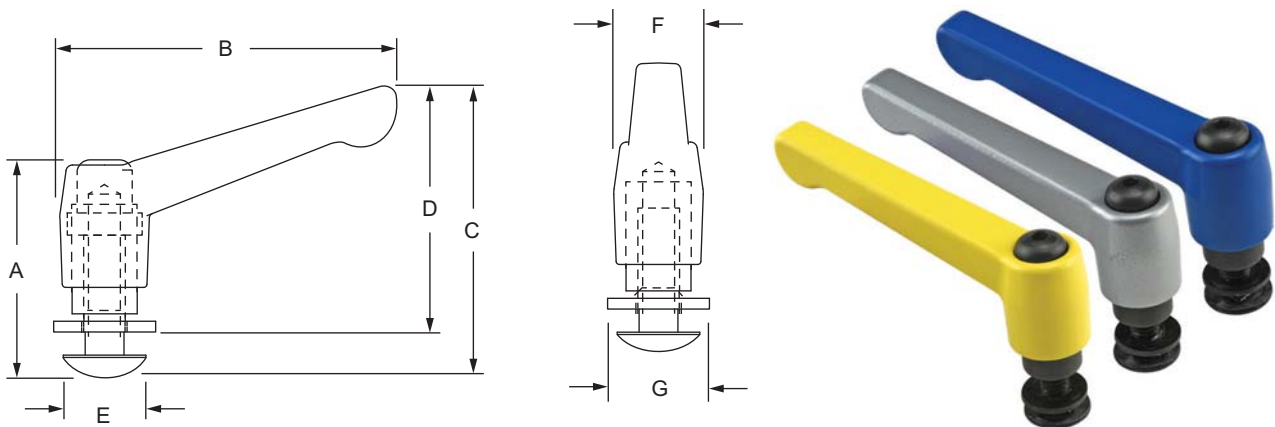


Part No.	Series	Material	Process	Color	A	B	C	D	E	F	Weight
6780	10	Mylar	Cut	Clear	.812"	.175"	1.500"	.406"	.005"	1.875"	.004 lb
6881	15				1.250"	.250"	2.156"	.625"	.005"	2.812"	.011 lb
25-6780	25				20.62mm	4.44mm	38.10mm	10.31mm	.13mm	47.63mm	.0020 kg
40-6881	40				31.75mm	6.35mm	54.76mm	15.88mm	.13mm	71.42mm	.0051kg

## “L” Handle Linear Bearing Brake Kit

### Part Description:

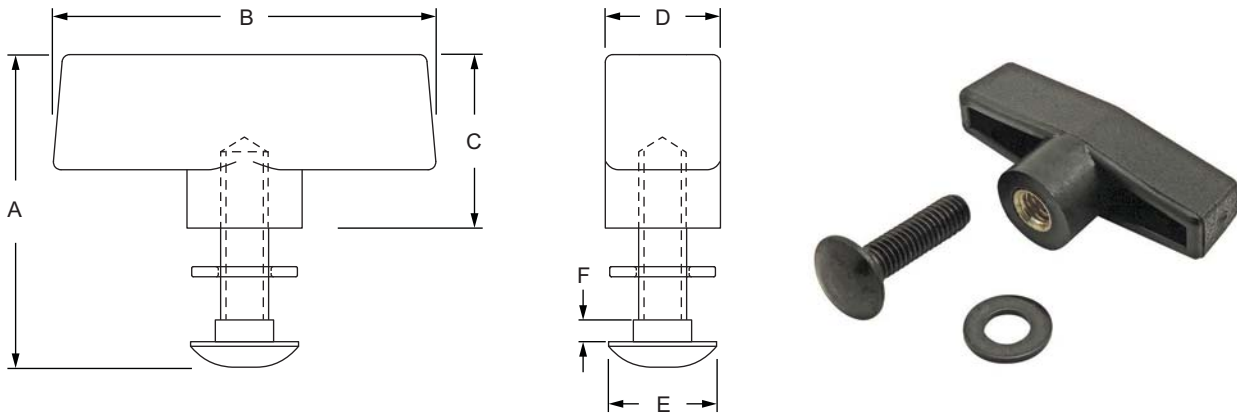
The “L” handle linear bearing brake kit adds an adjustable stop to any brake-ready bearing by securing it into a semi-permanent position. It also adds a grip to aid with adjustments and provides secure lockdown capability for safety. It's available in black, gray, blue, red, or safety yellow to match your application. All mounting hardware is included.



Part No.	Series	Material	Process	Finish	Color	A	B	C	D	E	F	G	Weight
6850	10	Nylon 66	Injection Mold	Matte	Black	1.325"	2.041"	1.745"	1.445"	.500"	.540"	.617"	.048 lb
6800	15	Zinc	Die Cast	Gloss	Gray	2.234"	3.505"	2.985"	2.235"	.703"	.871"	.688"	.336 lb
6805	15	Zinc	Die Cast	Gloss	Blue	2.234"	3.505"	2.985"	2.235"	.703"	.871"	.688"	.336 lb
6806	15	Zinc	Die Cast	Gloss	Red	2.234"	3.505"	2.985"	2.235"	.703"	.871"	.688"	.336 lb
6807	15	Zinc	Die Cast	Gloss	Yellow	2.234"	3.505"	2.985"	2.235"	.703"	.871"	.688"	.336 lb
25-6850	25	Nylon 66	Injection Mold	Matte	Black	33.66mm	51.84mm	44.32mm	36.70mm	12.70mm	13.72mm	15.67mm	.0277 kg
40-6800	40	Zinc	Die Cast	Gloss	Gray	56.74mm	89.03mm	75.82mm	56.77mm	17.86mm	22.12mm	17.48mm	.1524 kg
40-6805	40	Zinc	Die Cast	Gloss	Blue	56.74mm	89.03mm	75.82mm	56.77mm	17.86mm	22.12mm	17.48mm	.1524 kg
40-6806	40	Zinc	Die Cast	Gloss	Red	56.74mm	89.03mm	75.82mm	56.77mm	17.86mm	22.12mm	17.48mm	.1524 kg
40-6807	40	Zinc	Die Cast	Gloss	Yellow	56.74mm	89.03mm	75.82mm	56.77mm	17.86mm	22.12mm	17.48mm	.1524 kg

**Part Description:**

The "T" handle linear bearing brake kit adds an adjustable stop to any brake-ready bearing by securing it into a semi-permanent position. It also adds a grip to aid with adjustments and provides secure lockdown capability for safety. All mounting hardware is included.



Part No.	Series	Material	Finish	Color	A	B	C	D	E	F	Weight
6801	15	Steel / Polypropylene	Zinc / Matte	Black	2.036"	2.491"	1.130"	.750"	.703"	.150"	.086 lb
40-6801	40				51.71mm	63.27mm	28.70mm	19.05mm	17.86mm	3.81mm	.0390 kg

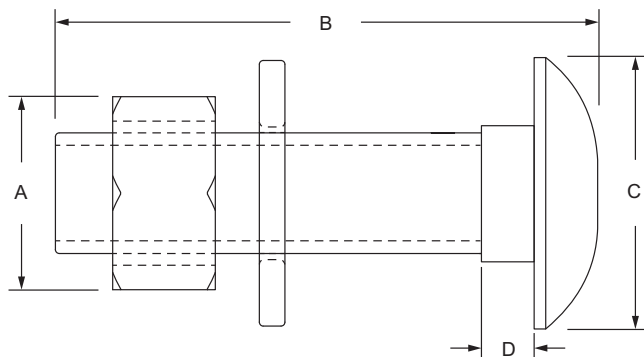


## Hex Nut Linear Bearing Brake Kit



### Part Description:

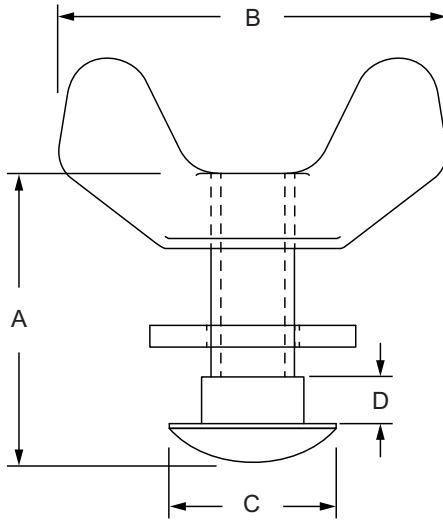
The hex nut linear bearing brake kit adds an adjustable stop to any brake-ready bearing by securing it into a semi-permanent position. It provides secure lockdown capability for safety and is compact, taking up little space. All mounting hardware is included.



Part No.	Series	Material	Grade	Process	Finish	Color	A	B	C	D	Weight
6851	<b>10</b>	Steel	Grade 5	Formed	Zinc	Black	.438"	.865"	.500"	.150"	.023 lb
6803	<b>15</b>						.500"	1.406"	.703"	.150"	.048 lb
25-6851	<b>25</b>						11.11mm	21.97mm	12.70mm	3.81mm	.0104 kg
40-6803	<b>40</b>						12.70mm	35.71mm	17.86mm	3.81mm	.0217 kg

**Part Description:**

The wing nut linear bearing brake kit is bright zinc and adds an adjustable stop to any brake-ready bearing by securing it into a semi-permanent position. It provides secure lockdown capability for safety and is compact, taking up little space. All mounting hardware is included.

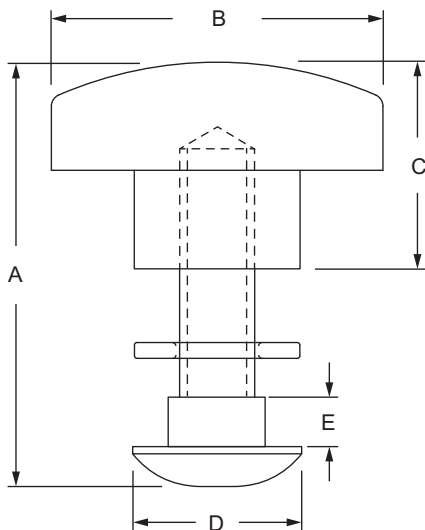


Part No.	Series	Material	Process	Finish	Color	A	B	C	D	Weight
6852	10	Steel	Cold Forged	Zinc	Bright / Black	.865"	1.158"	.500"	.150"	.028 lb
6804	15					1.416"	1.375"	.703"	.150"	.054 lb
25-6852	25					21.97mm	29.41mm	12.70mm	3.81mm	.0127 kg
40-6804	40					35.97mm	34.93mm	17.86mm	3.81mm	.0244 kg

## Star Handle Linear Bearing Brake Kit

### Part Description:

The star handle linear bearing brake kit adds an adjustable stop to any brake-ready bearing by securing it into a semi-permanent position. It also adds a grip to aid with adjustments and provides secure lockdown capability for safety. All mounting hardware is included.



Part No.	Series	Material	Finish	Color	A	B	C	D	E	Weight
6802	<b>15</b>	Steel / Polypropylene	Zinc / Texture	Black	1.766"	1.380"	.860"	.703"	.150"	.069 lb
40-6802	<b>40</b>				44.86mm	35.05mm	21.84mm	17.86mm	3.81mm	.0312 kg